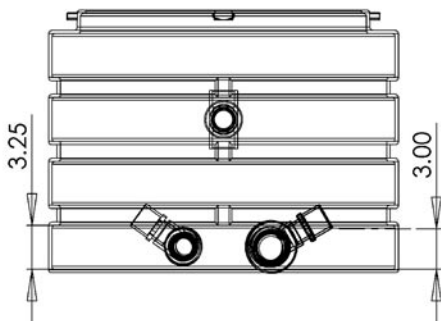
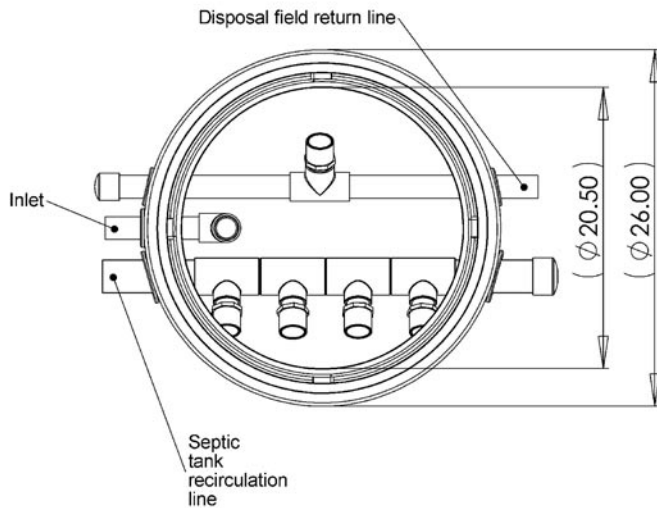
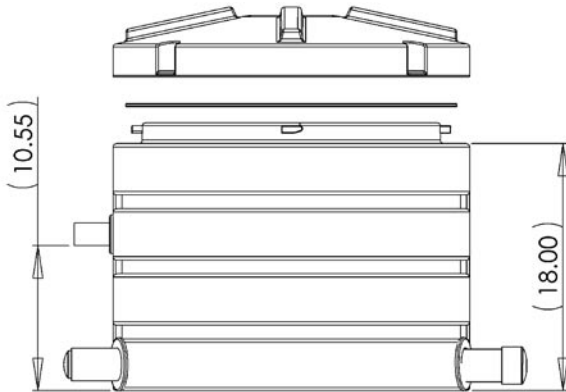
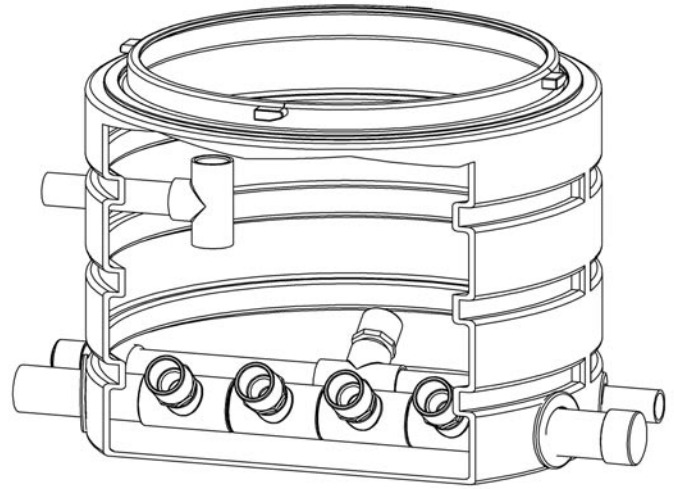




Recirculation Devices (Gravity) ATS-GRD-4/1

Features

- Gravity recirculation device provides 80% recirculation
- Pre-plumbed inside a polyethylene basin
- Extra extension risers may be added to bring up to grade
- Easily set by water leveling outlets



Materials

Basin and lid

- High density non-corrosive polyethylene plastic
- Tested to withstand up to a 2500 lb wheel load
- Neoprene gasket
- Stainless steel tamper resistant hardware
- 26" diameter lid

Effluent discharge assembly

- Inlet line: 1.25" SCH 40 PVC pipe
- 20% discharge line: 1.25" SCH 40 PVC pipe
- 80% recirculation line: 2" SCH 40 PVC pipe
- Water-tight grommets

Warranty for Defects in Material and Workmanship

- Basin and lid - 2 Years
- Effluent discharge assembly - 1 Year

AutoCad dwg files at www.quanics.net

1-877-QUANICS - www.quanics.net

Quanics
Engineering Water Solutions®

© 2011, Quanics Inc. All rights reserved.
Product(s) covered by one or more U.S.
and/or International patents. Other U.S. and
International patents may be pending.

DOWNLOAD
AutoCAD
DRAWINGS