

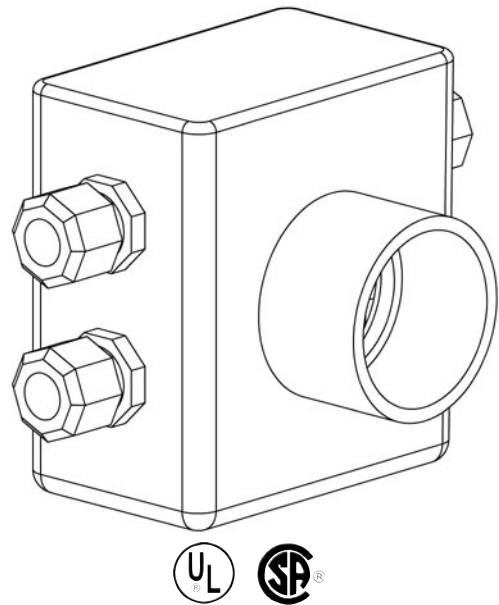
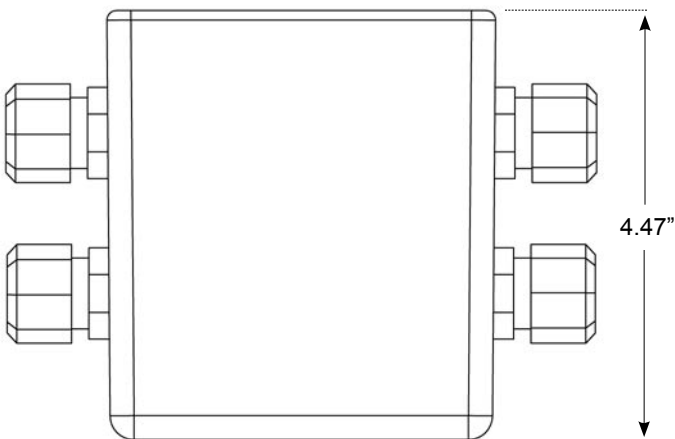
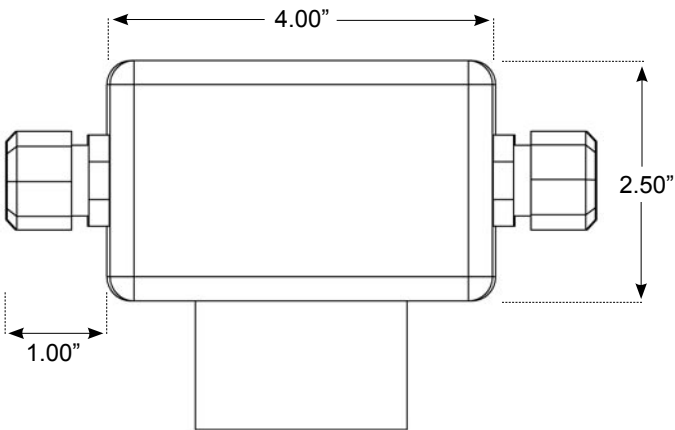


Alarms & Controls Splice Boxes

AC-JSB-2, AC-JSB-3, AC-JSB-4

Features:

- NEMA 4X enclosure rated for outdoor use
- External mounting feet included
- Available with 2, 3 or 4 liquid tight connectors



Specifications

Materials

Lid & box

- High impact, corrosion resistant thermoplastic
- Weatherproof
- 1/2" UL approved, CSA certified round cable liquid-tight strain relief connectors
- 1-1/2" terminal adapter hub
- 2.5" x 4" x 4" internal volume

Gasket

- Flexible PVC

Screws

- Brass or stainless steel

Warranty for Defects in Material and Workmanship

- 3 Years

AutoCad dwg files at www.quanics.net

1-877-QUANICS - www.quanics.net

Quanics
Engineering Water Solutions®

© 2011, Quanics Inc. All rights reserved.
Product(s) covered by one or more U.S.
and/or International patents. Other U.S. and
International patents may be pending.

DOWNLOAD
AutoCAD
DRAWINGS