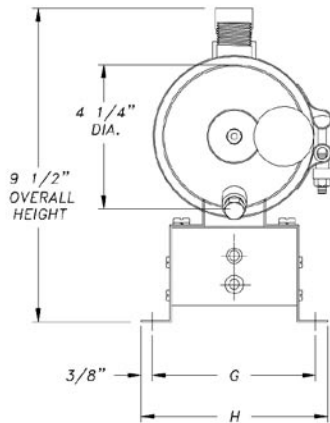
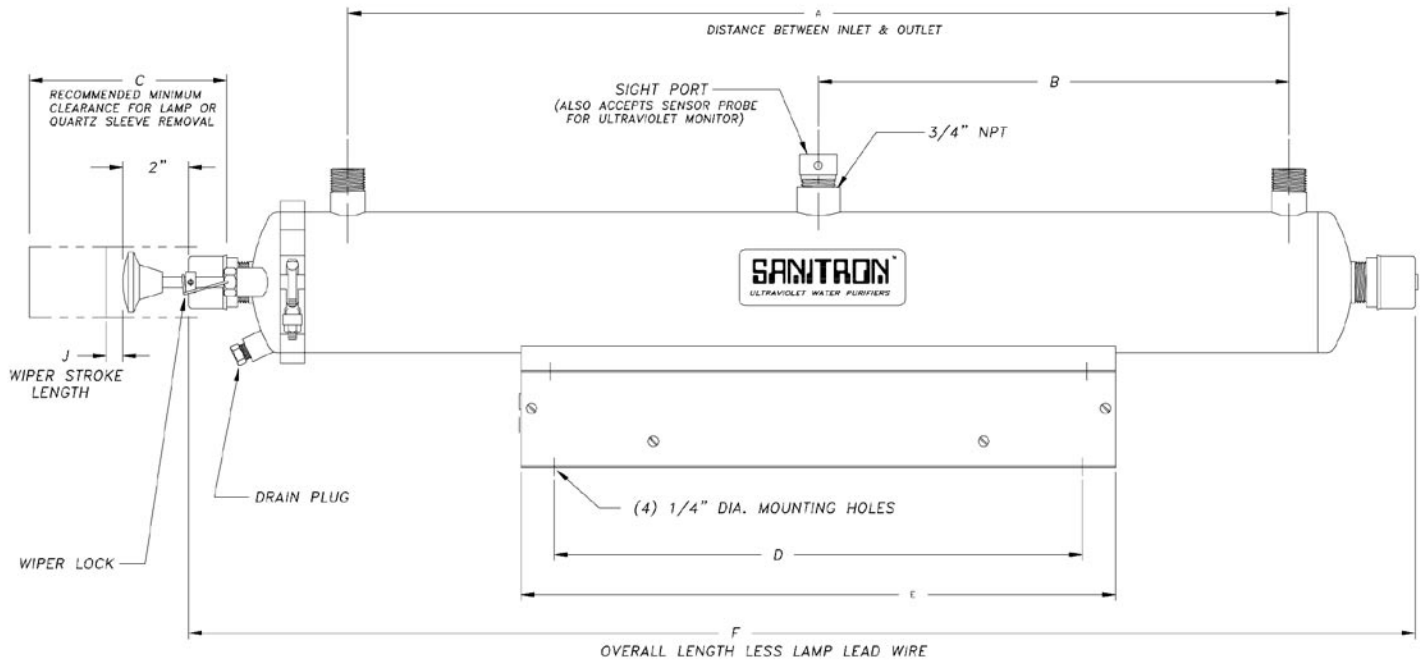




Model #s ATS-PUV-3
 ATS-PUV-6
 ATS-PUV-12
 ATS-PUV-20

Disinfection Pressure UV Disinfection Units (3, 6, 12 & 20 gpm)



Rated Flow Rate	3 GPM	6 GPM	12 GPM	20 GPM
Inlet/Outlet size	3/4" m NPT	3/4" m NPT	1" m NPT	1-1/2" m NPT
Replacement Lamp	GPH287T5L	GPH436T5L	G36T6L	G48T6L
Power Consumption	18 watts	24 watts	44 watts	54 watts
Lamp output	14 watts	20 watts	39 watts	50 watts
Effective Life	10,000 hours	10,000 hours	10,000 hours	10,000 hours
Shipping Weight	11 lbs.	14 lbs.	22 lbs.	36 lbs.
Voltage	120V	120V	120V	120V
Max Operating Pressure	100 PSI	100 PSI	100 PSI	100 PSI

MODEL	A	B	C	D	E	F	G	H	J
ATS-PUV-3	8-3/4"	17"	8-3/4"	10"	17-3/8"	3-5/8"	4-5/16"	8-3/16"	7-3/16"
ATS-PUV-6	14-3/4"	23"	13-1/4"	14-1/2"	23-3/8"	3-5/8"	4-5/16"	8-3/16"	10-3/16"
ATS-PUV-12	28-1/2"	37"	16"	18"	37-3/8"	4-15/16"	5-11/16"	9-1/2"	11-1/8"
ATS-PUV-20	40-7/8"	50"	26"	30"	50-3/8"	4-15/16"	5-11/16"	9-1/2"	13-13/16"

1-877-QUANICS - www.quanics.net

© 2006, Quanics Inc. All rights reserved.
 Product(s) covered by one or more U.S.
 and/or International patents. Other U.S.
 and International patents may be pending.

**DOWNLOAD
 AutoCAD
 DRAWINGS**