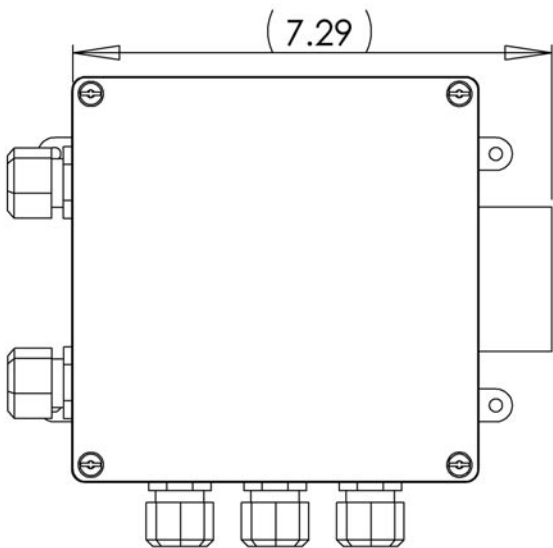
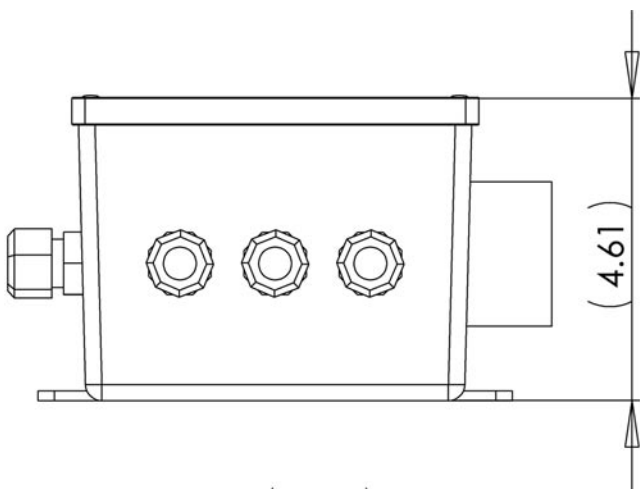
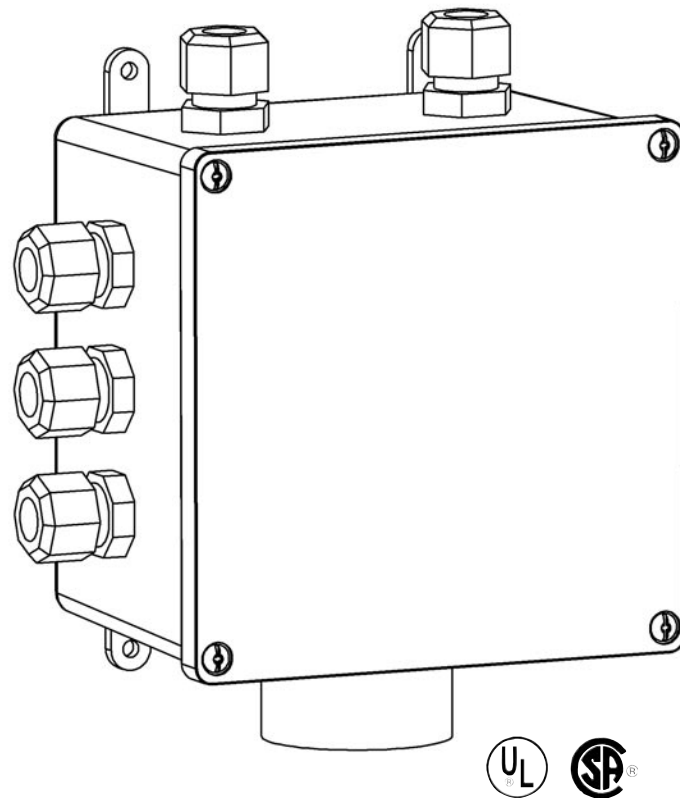


## Alarms & Controls Splice Boxes

AC-JSB-5, AC-JSB-6

### Features:

- NEMA 4X enclosure rated for outdoor use
- External mounting feet included
- Available with 5 or 6 liquid tight connectors



### Specifications

#### Materials

#### Lid & box

- High impact, corrosion resistant thermoplastic
- Weatherproof
- 1/2" UL approved, CSA certified round cable liquid-tight strain relief connectors
- 2" terminal adapter hub
- 6" x 6" x 6" internal volume

#### Gasket

- Flexible PVC

#### Screws

- Brass or stainless steel

#### Warranty for Defects in Material and Workmanship

- 3 Years

AutoCad dwg files at [www.quanics.net](http://www.quanics.net)

1-877-QUANICS - [www.quanics.net](http://www.quanics.net)

**Quanics**  
Engineering Water Solutions®

© 2007, Quanics Inc. All rights reserved.  
Product(s) covered by one or more U.S.  
and/or International patents. Other U.S. and  
International patents may be pending.

DOWNLOAD  
AutoCAD  
DRAWINGS