



# Pressure Dispersal Systems Mounds

PDS-MND-450, PDS-MND-600

**Models include:**

- 1.5" central manifold assembly
- 6' lateral assembly sections
- Sweep assembly
- Orifice shields

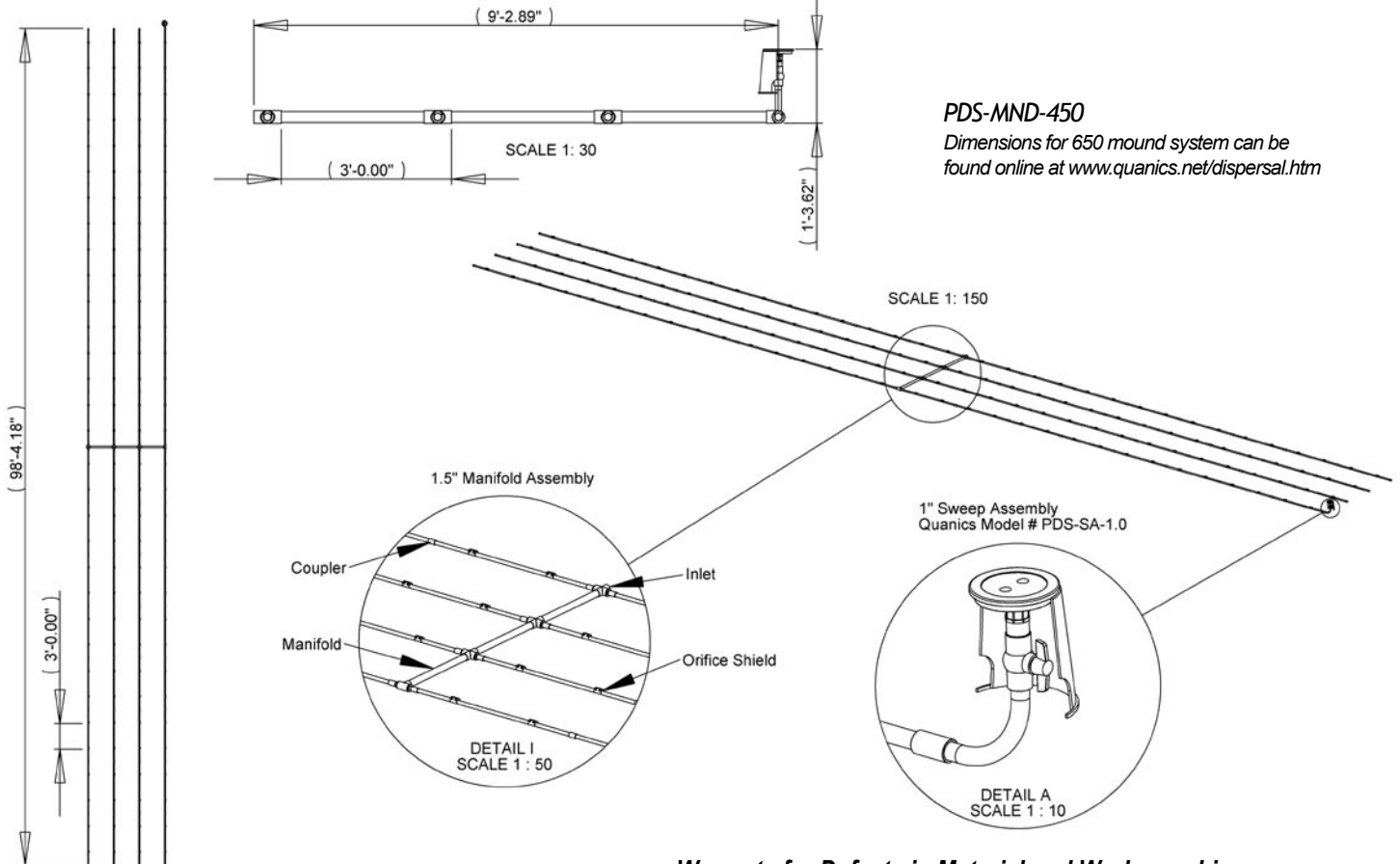
**Not included:**

- Sand, Dirt or Gravel

Specifications	PDS-MND-450	PDS-MND-600
<b>Treatment</b>	375 linear ft. treats up to 450 gpd	500 linear ft. treats up to 600 gpd
<b>Laterals</b>		
Quantity	8	12
Length per sections	48'	42'
orifices per section	6'	6'
Sweep assemblies	2	2
<b>Orifices</b>	128	168
Diameter	5/32"	5/32"
Quantity per line	16	14
<b>Piping</b>		
Manifold	2.0" sch 40 PVC	2.0" sch 40 PVC
Laterals	1.0" sch 40 PVC	1.0" sch 40 PVC

**Flow per hole**

Pressure Head	Flow
1 Foot	0.29 gallons per minute
2 Feet	0.41 gallons per minute
3 Feet	0.50 gallons per minute
4 Feet	0.58 gallons per minute
5 Feet	0.64 gallons per minute



**PDS-MND-450**

Dimensions for 650 mound system can be found online at [www.quanics.net/dispersal.htm](http://www.quanics.net/dispersal.htm)

**Warranty for Defects in Material and Workmanship**  
• 1 Year

AutoCad dwg files at [www.quanics.net](http://www.quanics.net)

**1-877-QUANICS - [www.quanics.net](http://www.quanics.net)**



© 2007, Quanics Inc. All rights reserved. Product(s) covered by one or more U.S. and/or International patents. Other U.S. and International patents may be pending.

