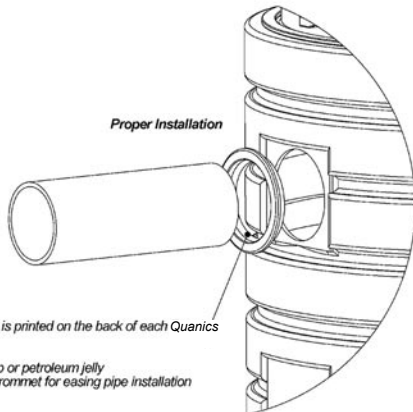
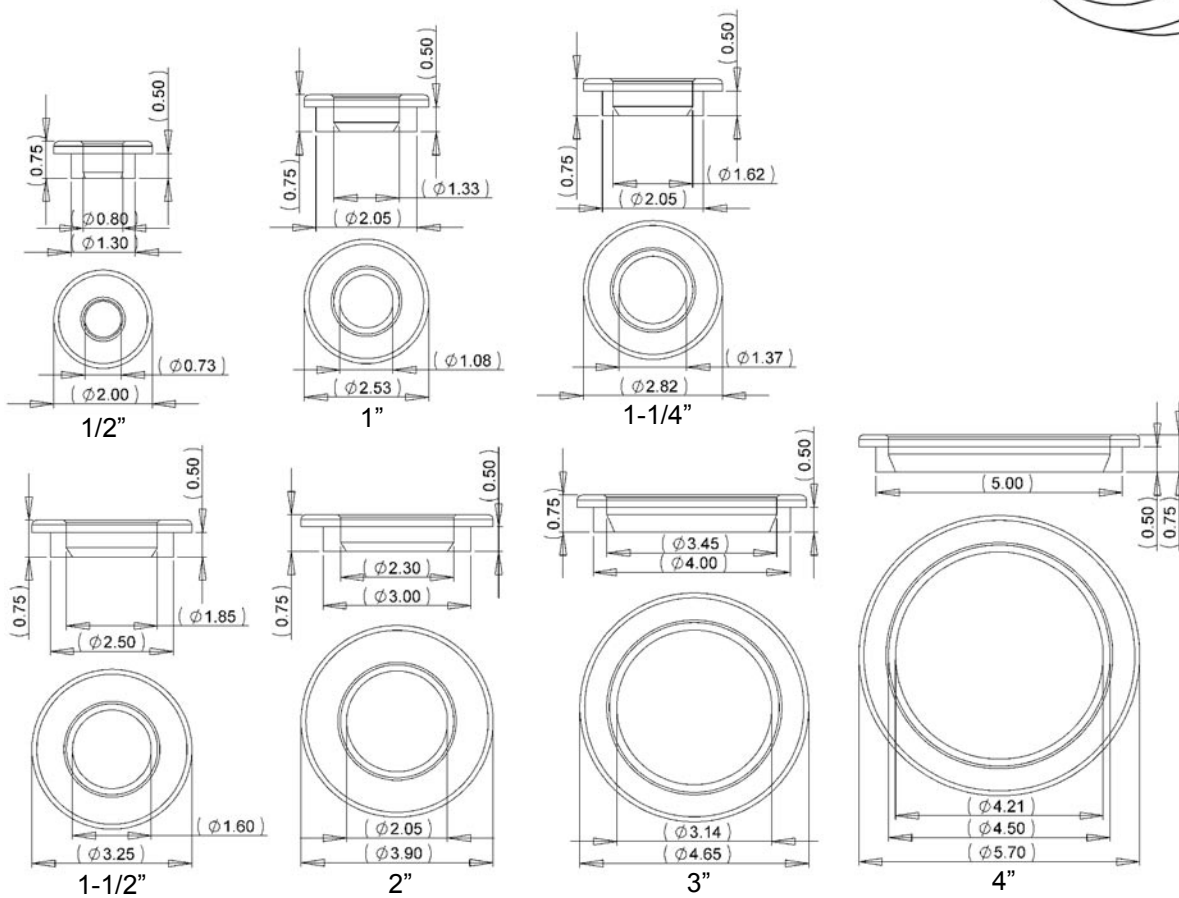
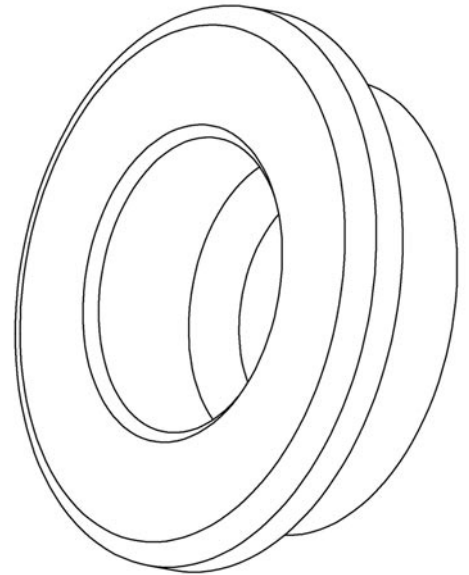


## Grommets

PDS-GT-.50, PDS-GT-1.0, PDS-GT-1.25, PDS-GT-1.5, PDS-GT-2.0  
 PDS-GT-3.0, PDS-GT-4.0-35, PDS-GT-4.0-40

### Features

- Rubber grommets may be installed in plastic or fiberglass risers/tanks
- Create a watertight seal around a variety of pipe diameters
- Install using an appropriately sized hole saw as listed on the back of each grommet



#### Installation Tips:

Proper hole saw size is printed on the back of each Quanics Grommet.

Put dishwashing soap or petroleum jelly on the inside of the grommet for easing pipe installation

### Materials

- Flexible PVC

### Warranty for Defects in Material and Workmanship

- 1 Year

AutoCad dwg files at [www.quanics.net](http://www.quanics.net)

**1-877-QUANICS - [www.quanics.net](http://www.quanics.net)**

**Quanics**  
 Engineering Water Solutions®

© 2007, Quanics Inc. All rights reserved.  
 Product(s) covered by one or more U.S.  
 and/or International patents. Other U.S. and  
 International patents may be pending.

DOWNLOAD  
 AutoCAD  
 DRAWINGS