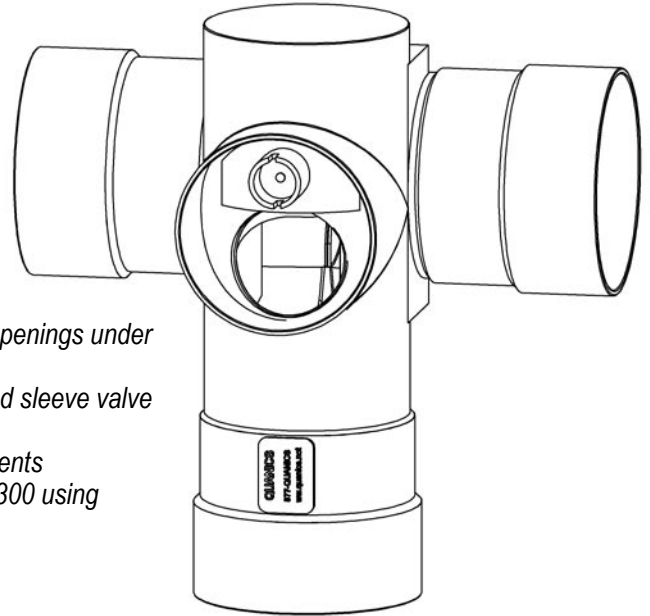


Flow Divider/Director GDS-ZS300, GDS-ZS300D

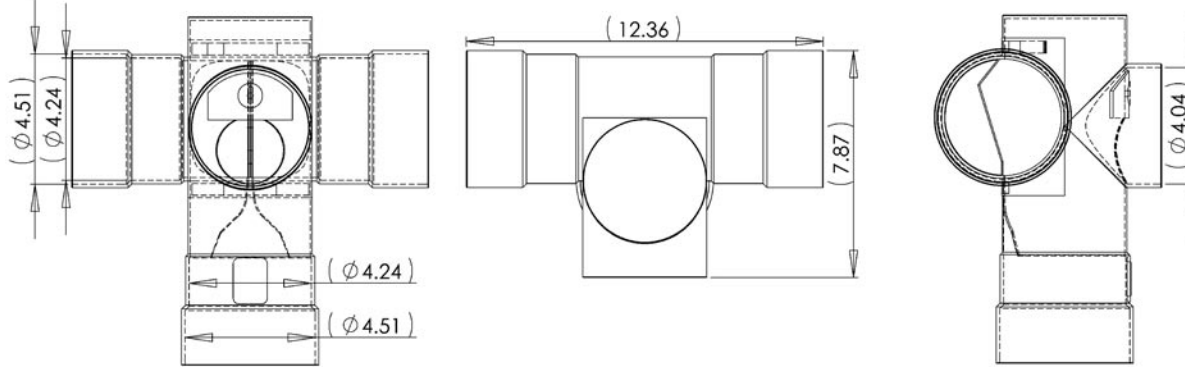
Features

- GDS-Z300 utilizes a central weir to divide effluent evenly between two openings under gravity flow conditions
- GDS-Z300D may be used to alternate between two fields with a patented sleeve valve
- Patented design allows attachment to either 4" SDR 35 or SCH 40 pipe
- Monitoring hub may be extended to grade for easy viewing and adjustments
- Laboratory test results conducted by Dr. Bob Rubin Ed.D on the GDS-Z300 using 1000 ml samples at 3 gpm:

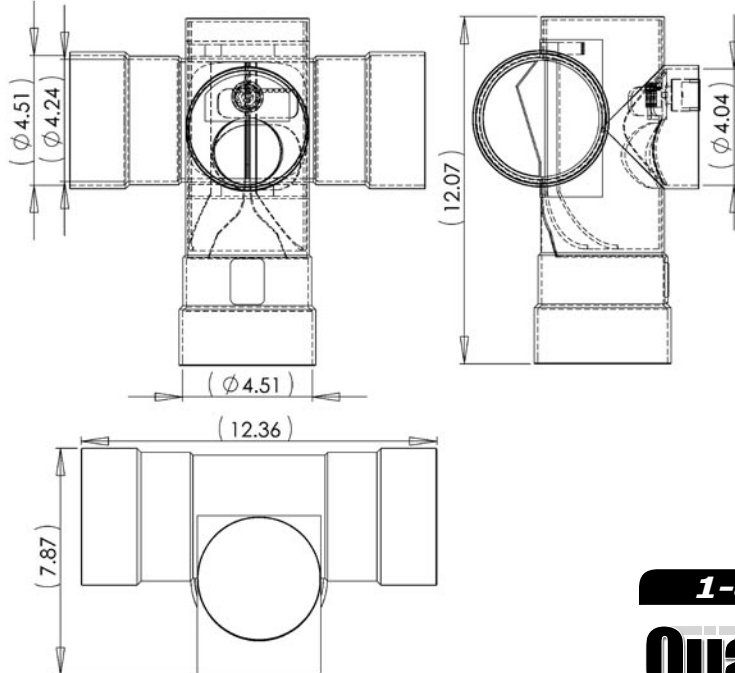
Position	Right Port Distribution	Left Port Distribution
Level	50.03%	49.97%
1/16" Tilt	50.2%	49.8%
1/8" Tilt	51.3%	48.7%



GDS-ZS300 (Flow Divider)



GDS-ZS300D (Flow Director)



Materials:

Injection molded PVC plastic

Warranty for Defects in Material and Workmanship

• 1 Year

AutoCad dwg files at www.quanics.net

1-877-QUANICS - www.quanics.net

Quanics
Engineering Water Solutions®

© 2007, Quanics Inc. All rights reserved.
Product(s) covered by one or more U.S.
and/or International patents. Other U.S. and
International patents may be pending.

DOWNLOAD
AutoCAD
DRAWINGS