

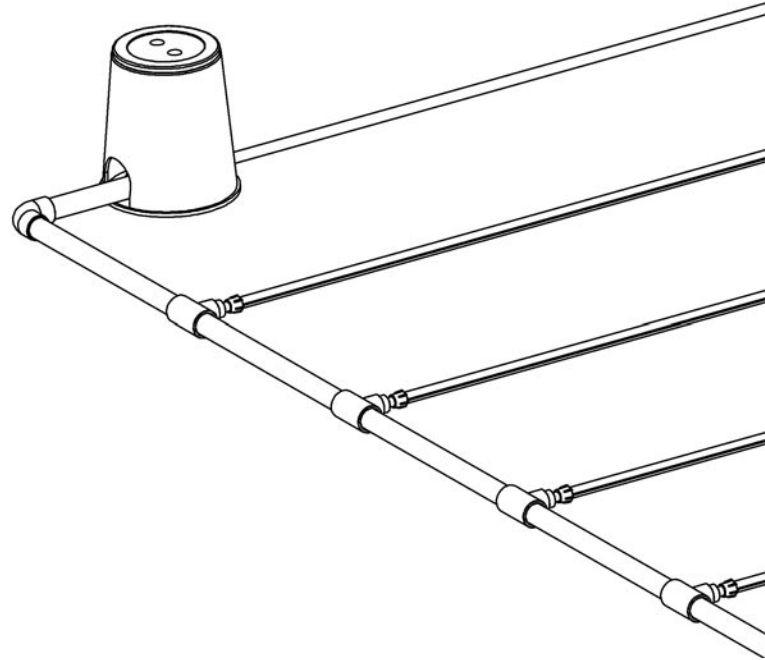


Drip Irrigation (Tubing)

PDS-DT-12, PDS-DT-12-PC,
PDS-DT-24, PDS-DT-24-PC

Features

- Flexible 1/2" polyethylene drip tubing for uniformly distributing secondary quality effluent
- Drip tubing includes ROOTGUARD® protection and Ultra-Fresh DM50 bactericide
- Emitters spacing - PDS-DT-12 = 12", PDS-DT-24 = 24"
- Non-pressure compensating emitter delivers 1.3 gph at 20 psi
- Pressure compensating emitters delivers 0.53 gph at 7-60 psi



Classic Emitter



Pressure Compensating Emitter



Materials:

Drip Tubing

- Nominal sized one-half inch linear low density polyethylene tubing
- Bactericide incorporated into inside layer of tubing
- Turbulent flow drip emitters bonded to the inside wall molded from virgin polyethylene resin
- Each emitter impregnated with Treflan to prevent root intrusion

Warranty for Defects in Material and Workmanship

- Drip tubing - ten years when installed below ground
- Drip tubing - two years when installed above ground
- ROOTGUARD - Products containing the ROOTGUARD protection are warranted to be free from root intrusion for a period of ten years from the date of purchase

AutoCad dwg files at www.quanics.net

1-877-QUANICS - www.quanics.net

Quanics
Engineering Water Solutions®

© 2007, Quanics Inc. All rights reserved.
Product(s) covered by one or more U.S.
and/or International patents. Other U.S. and
International patents may be pending.

DOWNLOAD
AutoCAD
DRAWINGS