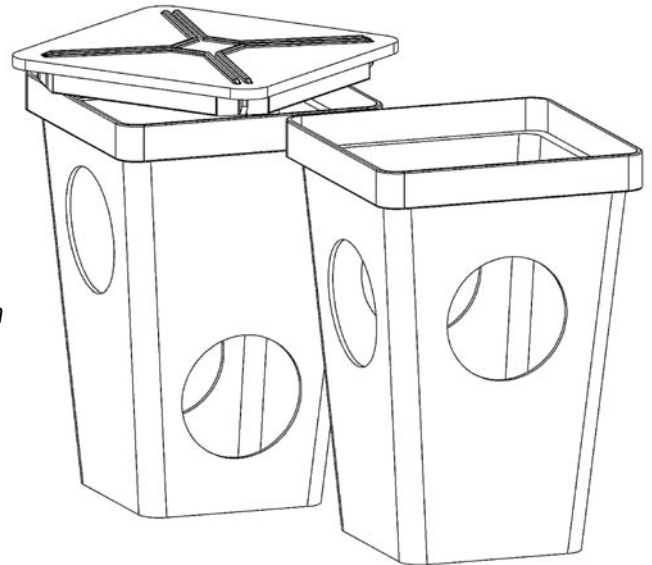


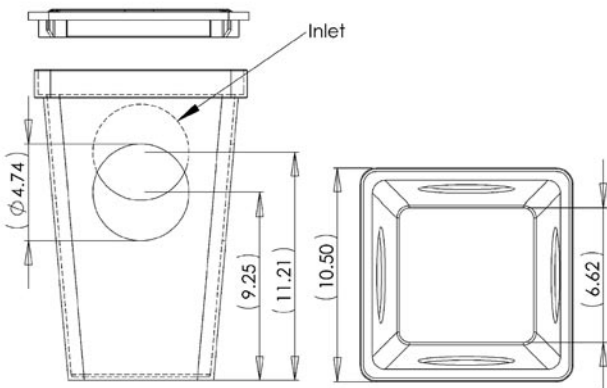
## Distribution Boxes

### Features

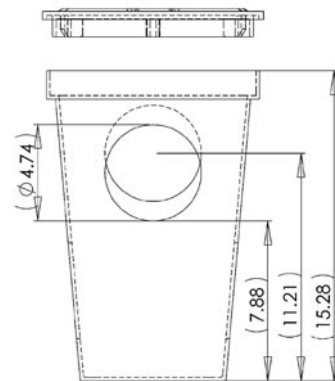
- Level flow and drop boxes for distributing effluent to drain fields
- Use in conjunction with Speed Levelers to achieve optimum distribution
- Each box includes appropriate number of patented snap-in seals  
 GDS-DB-4D includes 1 SCH 40, 3 SDR35 and 1 plug  
 GDS-DB-4L includes 1 SCH 40, 3 SDR 35 and 1 plug  
 GDS DB-6L includes 1 SCH 40, 5 SDR 35 and 2 plugs



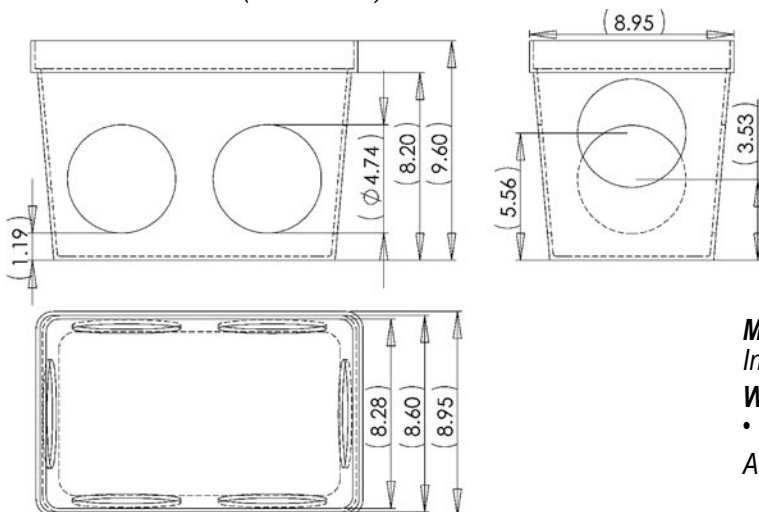
**GDS-DB-4L (Level Box)**



**GDS-DB-4D (Drop Box)**



**GDS-DB-6L (Level Box)**



### Materials:

Injection molded high density polyethylene plastic

### Warranty for Defects in Material and Workmanship

- 1 Year

AutoCad dwg files at [www.quanics.net](http://www.quanics.net)