



Distribution Valves

PDS-DV-6-4-2, PDS-DV-6-4-3, PDS-DV-6-4-4,
PDS-DV-6-6-5, PDS-DV-6-6-6

Features

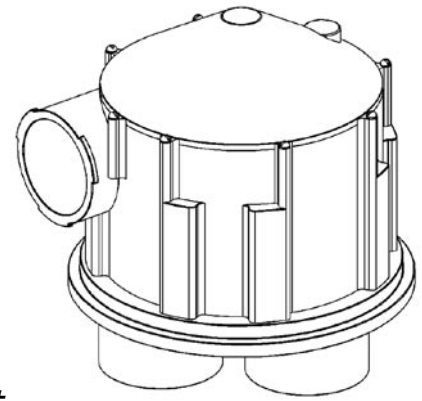
- 6000 series pressure distribution valve
- Utilized to alternate flows between two and six different zones
- Operates within a flow range of 15-150 gpm
- Rated at 25-150 psi
- Pressure loss through valve:

4 outlet

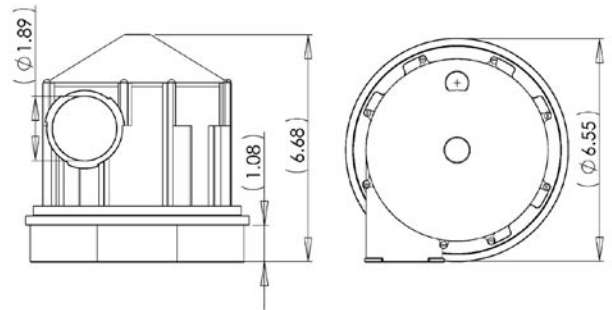
Flow (gpm)	20	40	60	80	100
Psi Loss	2.5	3.5	5.0	7.5	10.0

6 outlet

Flow (gpm)	20	40	60	80	100
Psi Loss	3.0	4.0	6.0	9.0	11.0



4 Outlet

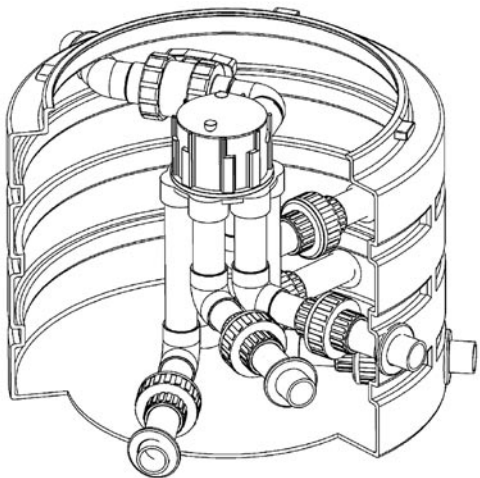


6000 Series Valve Assembly packages

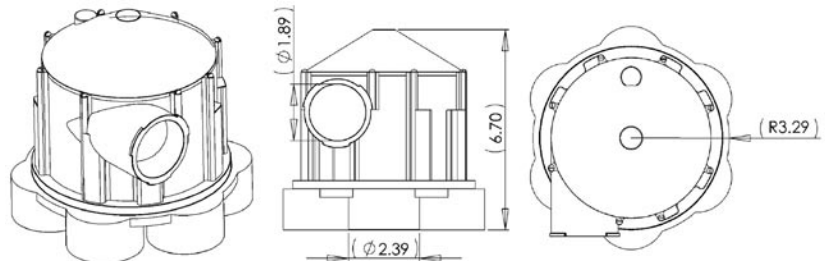
PDS-DV-6-4-2-AP, PDS-DV-6-4-3-AP,
PDS-DV-6-4-4-AP, PDS-DV-6-6-5-AP,
PDS-DV-6-6-6-AP

Features

- Quick and easy installation
- Housed in a 26"x18" water-tight Quanics basin
- Includes ball valve and quick disconnects
- Clear outlet piping for quick and convenient visual of proper operation



6 Outlet



Materials

6000 series valve top and housing

- Die cast metal

Valve outlets

- High strength ABS polymer
- 1.5" inlet hub
- Outlet hubs - 4 and 6 outlet 1.5"

Warranty for Defects in Material and Workmanship

- 1 Year

AutoCad dwg files at www.quanics.net

1-877-QUANICS - www.quanics.net

Quanics
Engineering Water Solutions®

© 2007, Quanics Inc. All rights reserved.
Product(s) covered by one or more U.S.
and/or International patents. Other U.S. and
International patents may be pending.

DOWNLOAD
AutoCAD
DRAWINGS