



Distribution Valves

PDS-DV-4-4-2, PDS-DV-4-4-3, PDS-DV-4-4-4,
PDS-DV-4-6-5, PDS-DV-4-6-6

Features

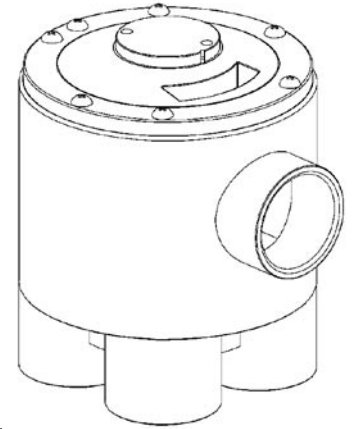
- 4000 Series pressure distribution valve
- Utilized to alternate flows between two and six different zones
- Operates within a flow range of 10-25 gpm
- Rated at 25-75 psi
- Pressure Loss through valve:

4 outlet

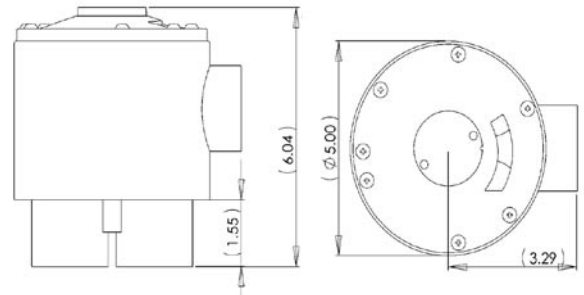
Flow (gpm)	10	20	30	40
Psi Loss	2.0	3.0	4.5	6.4

6 outlet

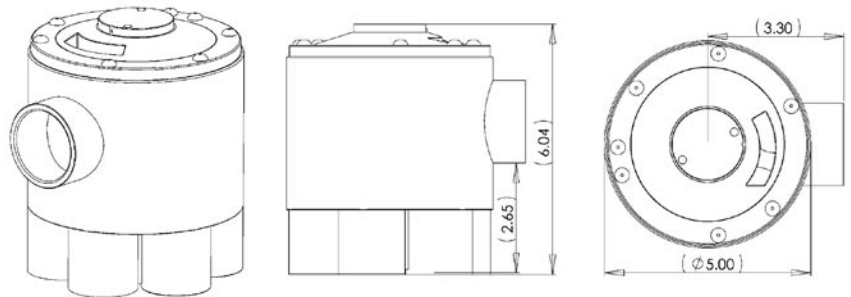
Flow (gpm)	10	20	30
Psi Loss	2.5	4.5	7.5



4 Outlet



6 Outlet

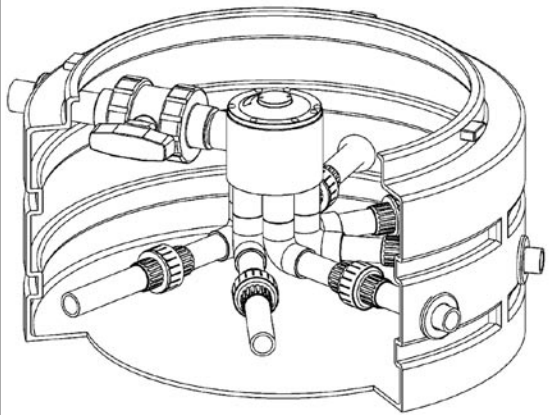


4000 Series Valve Assembly packages

PDS-DV-4-4-2-AP, PDS-DV-4-4-3-AP,
PDS-DV-4-4-4-AP, PDS-DV-4-6-2-AP,
PDS-DV-4-6-3-AP, PDS-DV-4-6-4-AP,
PDS-DV-4-6-5-AP, PDS-DV-4-6-6-AP

Features

- Quick and easy installation
- Housed in a 26"x12" water-tight Quanics basin
- Includes ball valve and quick disconnects
- Clear outlet piping for quick and convenient visual of proper operation



Materials

4000 series valve top and housing

- High strength ABS polymer

Valve outlets

- High strength ABS polymer
- 1.25" inlet hub
- Outlet hubs - 4 outlet 1.25", 6 outlet 1"

Warranty for Defects in Material and Workmanship

- 1 Year

AutoCad dwg files at www.quanics.net

1-877-QUANICS - www.quanics.net

Quanics
Engineering Water Solutions®

© 2007, Quanics Inc. All rights reserved.
Product(s) covered by one or more U.S.
and/or International patents. Other U.S. and
International patents may be pending.

DOWNLOAD
AutoCAD
DRAWINGS