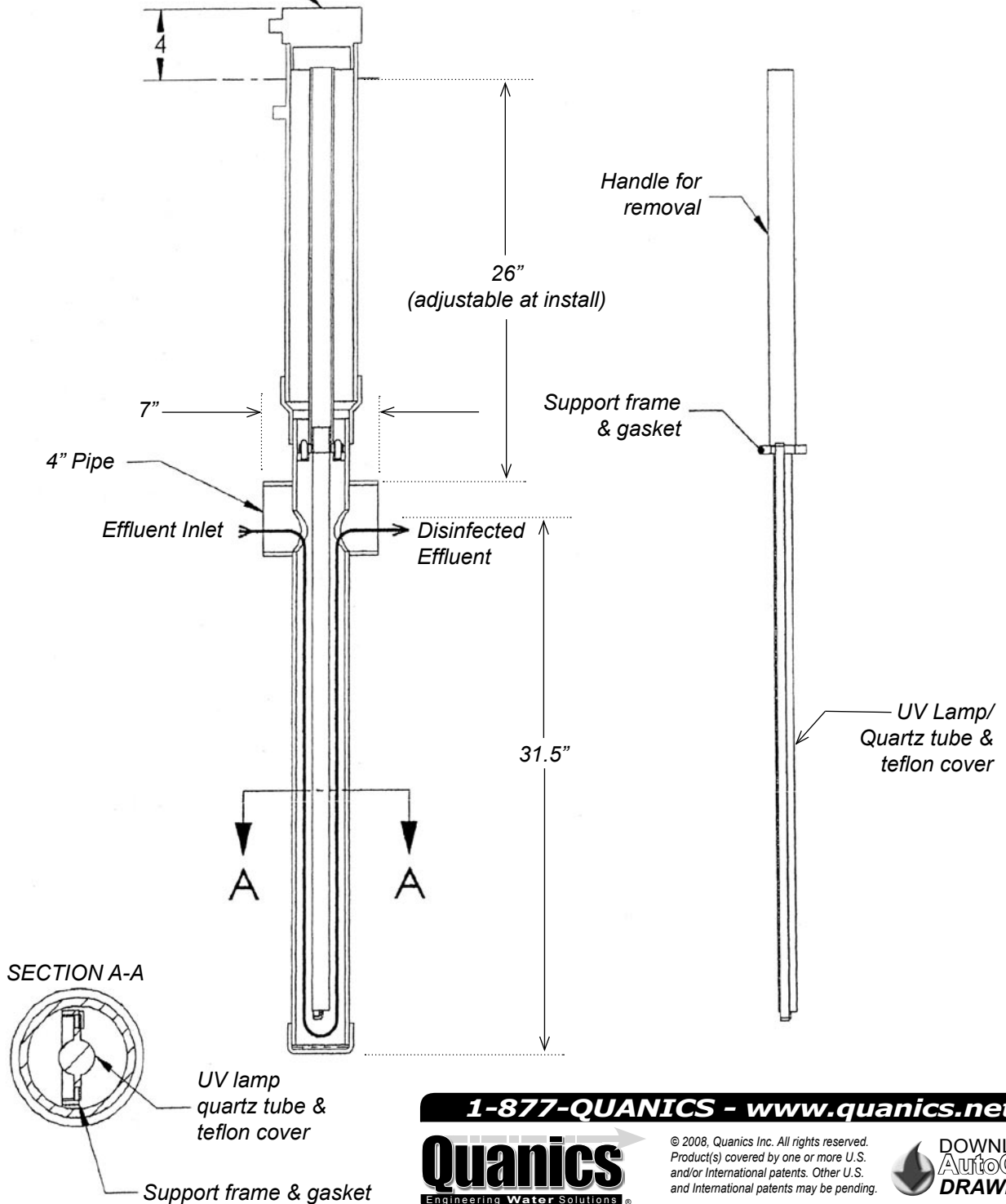




Replacement Parts
ATS-GUV-3
Gravity UV Disinfection Unit

Rated Flow Rate	3 GPM
Inlet/Outlet size	4"
Replacement Lamp	Sanitron 051334
Power Consumption	30 watts
Effective Life	2 years
Shipping Weight	15 lbs.
Voltage	120V

Electrical junction box with indicators and alarm contacts



1-877-QUANICS - www.quanics.net



© 2008, Quanics Inc. All rights reserved.
 Product(s) covered by one or more U.S.
 and/or International patents. Other U.S.
 and International patents may be pending.

