

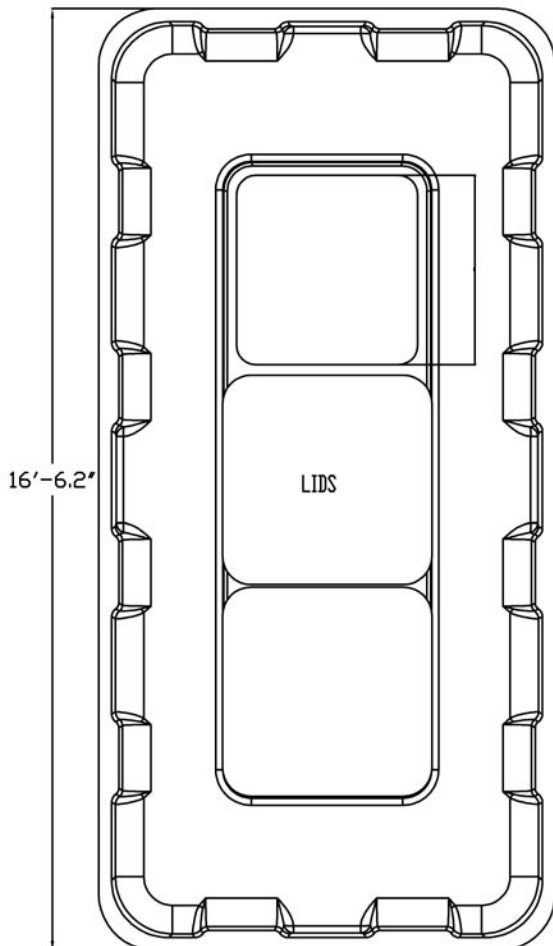
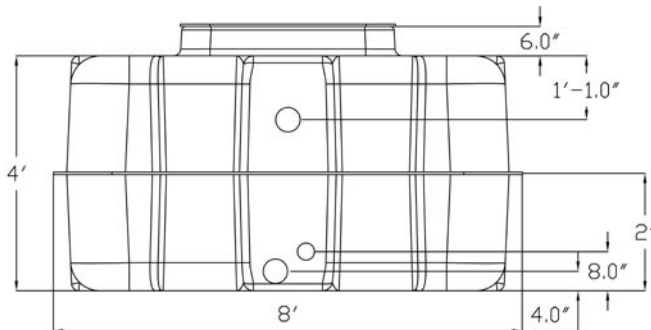
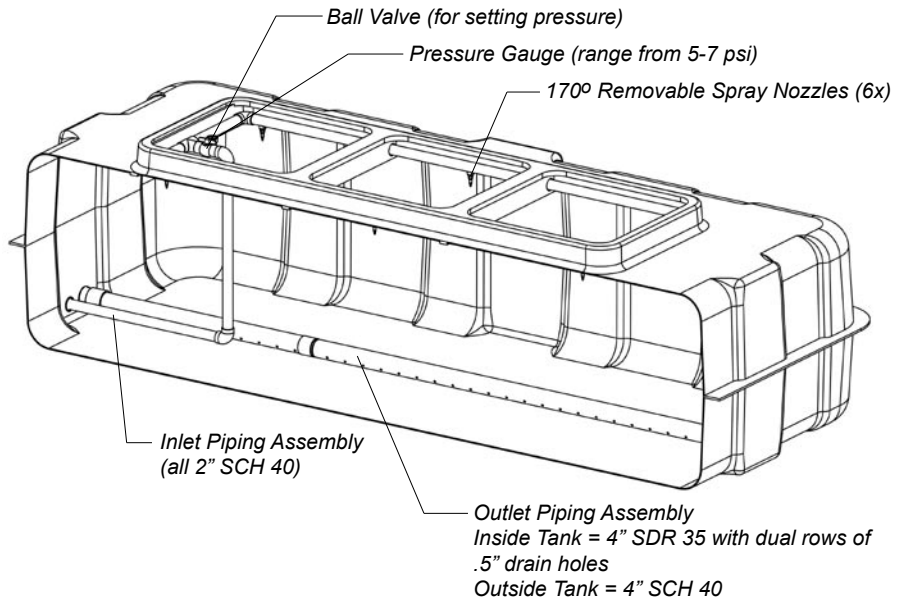


ADVANCED TREATMENT Modules

ATS-16-AC/BC

Features

- Single module treats up to 5000 gallon per day
- Single-piece fiberglass construction
- Two filtering media options to choose from
- Treats wastewater to secondary or tertiary levels
- Vacuum tested to Florida's class III specifications



Materials

Treatment module

- FRP for corrosion and chemical resistance
- Single wall reinforced
- Sealed interior and exterior finish with no laminate exposure
- Stainless steel tamper resistant hardware

Effluent discharge and vent assembly

- 2.0" SCH 40 PVC piping intake, 4.0" SCH 40 discharge
- Oil-filled pressure gauge
- Ball valve
- Six PVC snap-on spray nozzles
- Carbon filter vent

Treatment options

AeroCell® open cell foam

- 400 ft³ of open cell foam cubes
- Up to 12.5 gpd/ft³ hydraulic loading rate
- Max of .031 lbs/ft³/day organic loading rate
- Open cell foam contains 82% void space

Bio-COIR® natural media

- 400 ft³ of media
- Up to 12.5 gpd/ft³ hydraulic loading rate
- Max of .031 lbs/ft³/day organic loading rate
- Fibrous media 45% lignin for superior resistance to biodegradation

Warranty for Defects in Material and Workmanship

- All components - 1 year

AutoCad R-14 dwg files at www.quanics.net

1-877-QUANICS - www.quanics.net

Quanics
 Engineering Water Solutions®

© 2008, Quanics Inc. All rights reserved.
 Product(s) covered by one or more U.S.
 and/or International patents. Other U.S.
 and International patents may be pending.

DOWNLOAD
 AutoCAD
 DRAWINGS