



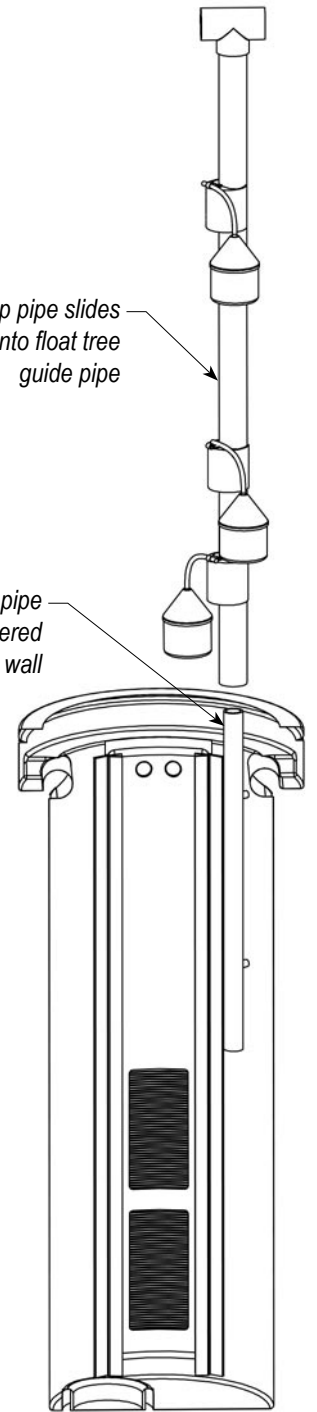
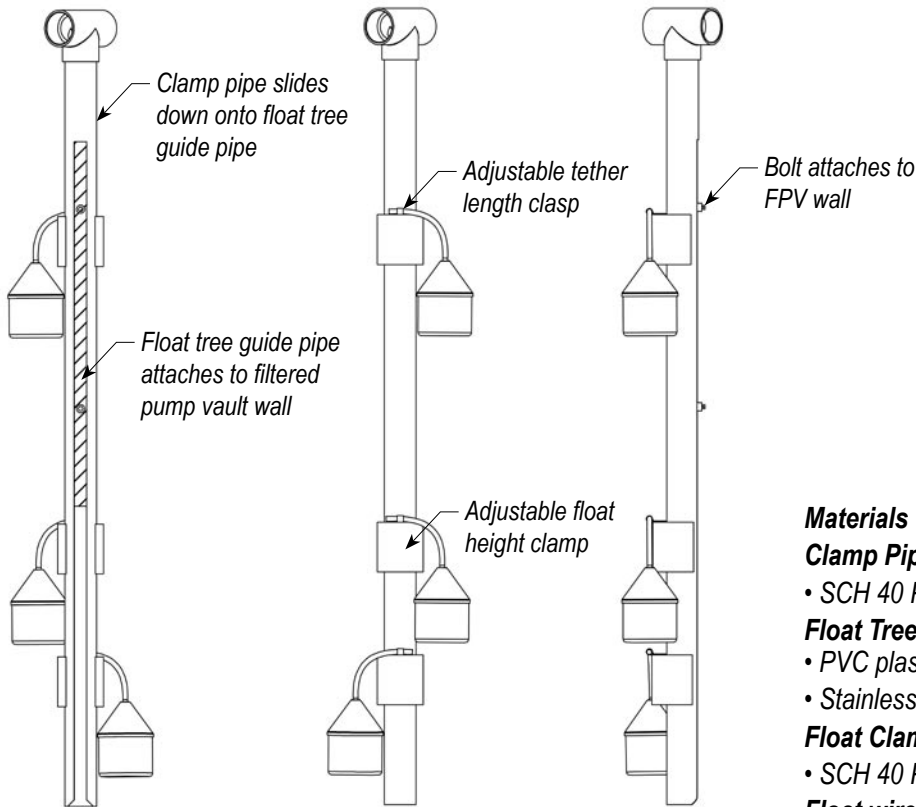
Float Tree (Standard) AC-FT-3

Features

- Ideal for ease of float removal and installation while tank is full or empty
- Pre-assembled for quick installation
- Newly designed for easier STEP system maintenance
- Floats and float wires not included

Clamp pipe slides down onto float tree guide pipe

Float tree guide pipe attached to filtered pump vault wall



Materials

Clamp Pipe and Handle

- SCH 40 PVC

Float Tree Guide

- PVC plastic
- Stainless steel bolts

Float Clamps

- SCH 40 PVC

Float wire clasp and screw

- Stainless steel

Warranty for Defects in Material and Workmanship

- 1 year from date of purchase

AutoCad dwg files at www.quanics.net

Note: Adjust float heights by sliding the float clamp up or down.

1-877-QUANICS - www.quanics.net



© 2007, Quanics Inc. All rights reserved. Product(s) covered by one or more U.S. and/or International patents. Other U.S. and International patents may be pending.

