

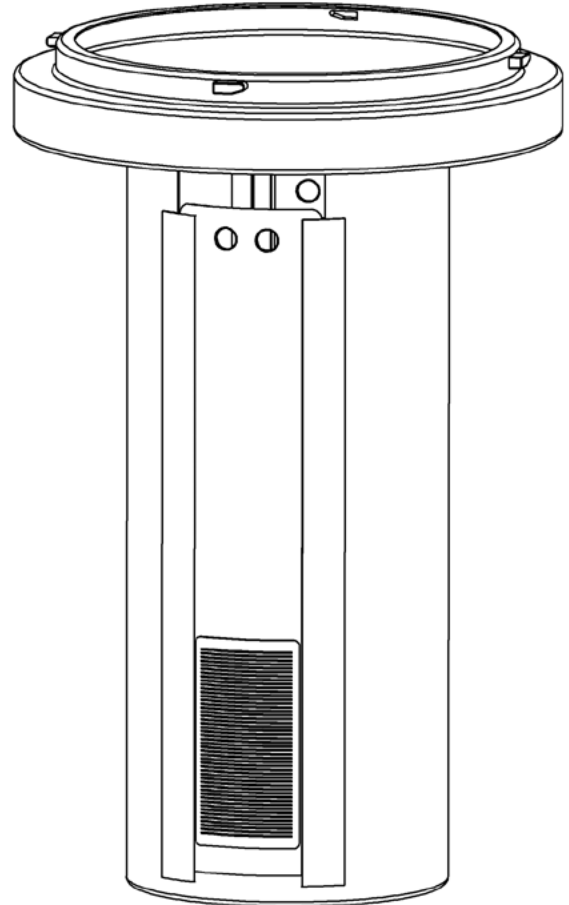
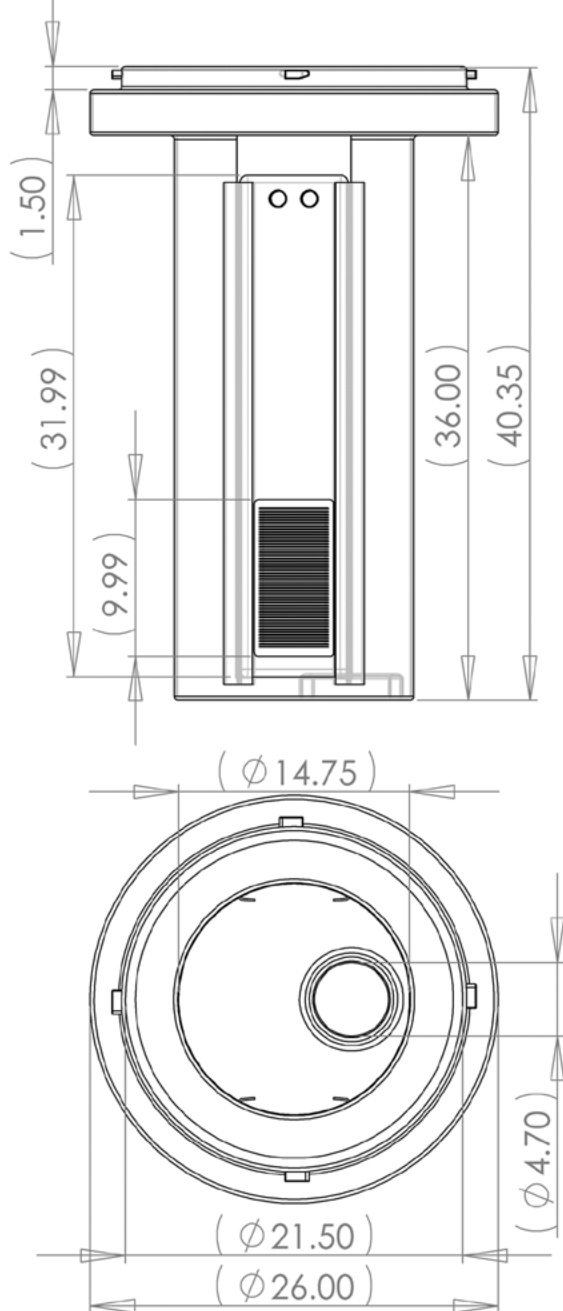


STEP Systems Filtered Pump Vaults (Interlocking)

FPV-I36-2, FPV-I36-4

Features

- Interlocks to 26" diameter risers and basins
- Protects pump and disposal field from solids larger than 1/16"
- May be installed in primary or dose tanks
- Available with either 2 or 4 filter plates
- Includes maintenance plate for servicing ease



Materials

Vault

- High density non-corrosive polyethylene plastic
- Stainless steel screws
- Polypropylene filter panels

Warranty for Defects in Material and Workmanship

- Interlocking Filtered Vault - 2 Years
- Interlocking Filtered Vault when used with a Quanics Pump - 10 Years

Quanics
Engineering Water Solutions™

P.O. Box 1520, Crestwood, Ky, 40014

Copyright 2006, Quanics Incorporated, All rights reserved
Product(s) covered by one or more U.S. and/or international patents. Other U.S. and international patents may be pending.

1-877-QUANICS (782-6427)

www.quanics.net