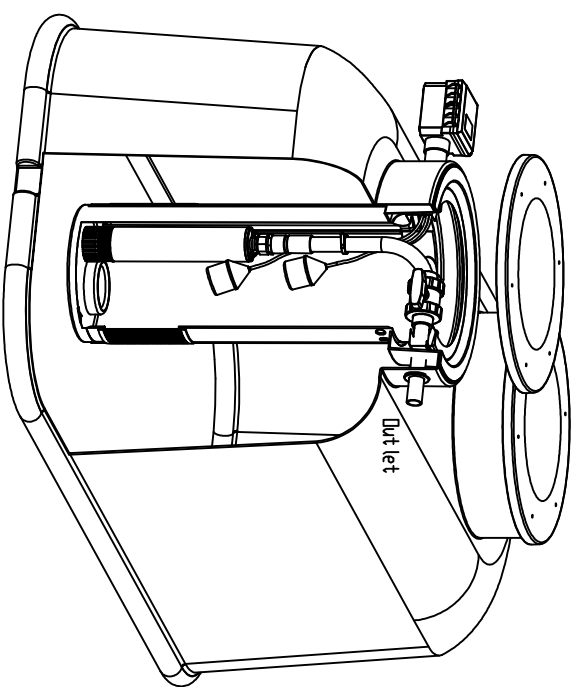
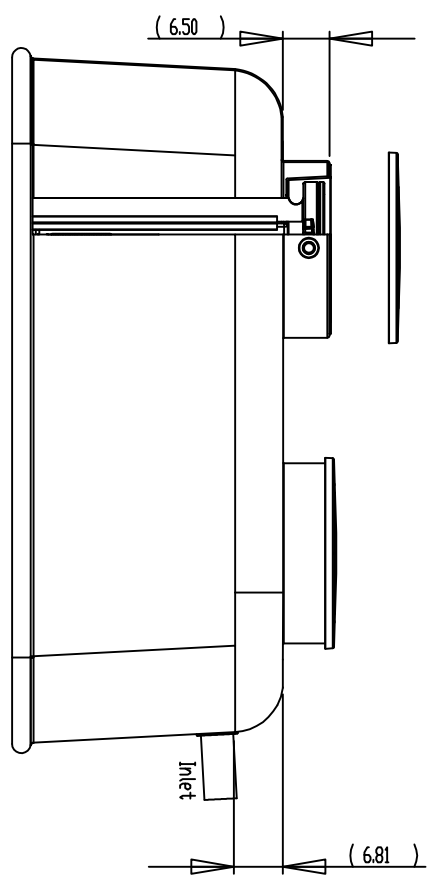
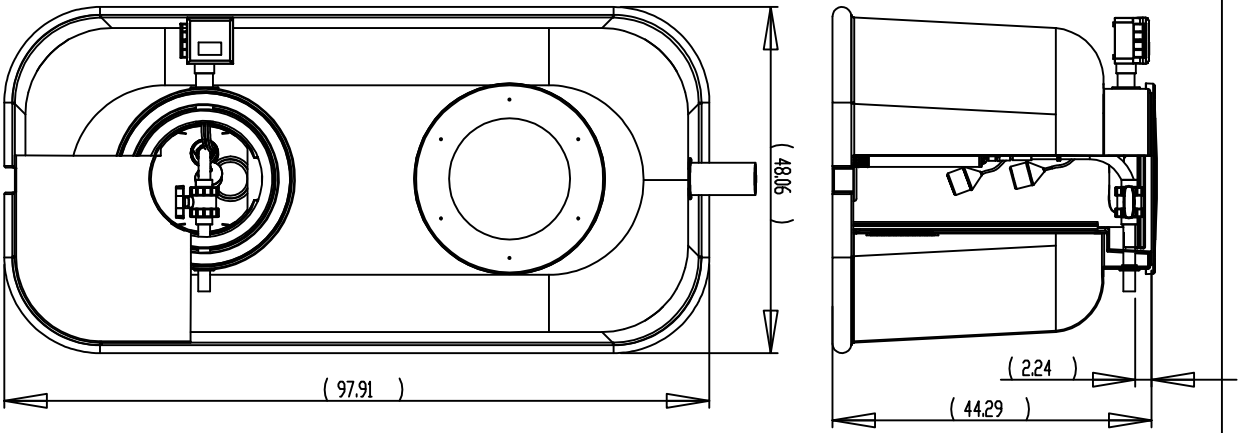


DRAWING NAME - SS-650 -T
 STEP System - 650 gallon tank - turbine pump 1/2 hp.



SCALE 1 : 20

Quatics Contacts - Paul Bonkers, R.S. 502-992-8214 Bbonkers@quatics.net Tom Petty, P.G., REHS 615-889-4399 tpetty@quatics.net	Technical Eric Shalde 502-992-8235 Eshalde@quatics.net Kevin Sperron, P.E., Ph.D. 502-751-7288 Kshernou@quatics.net	AutoCad Drawings Tom Jenkins 502-992-8216 Tjenkins@quatics.net
--	--	--

Product(s) covered by one or more US and/or International patents. Other US and International patents may be pending.

SCALE	1 : 25	DATE	02-07-06
DESIGNED BY	TDJ	DATE	02-07-06
TECHNICAL APPROVAL	KS	DATE	02-08-06
ENGINEER APPROVAL	KS		

QUATICS INCORPORATED
 711 Box 157
 QUATICS 4004
 www.quatics.net