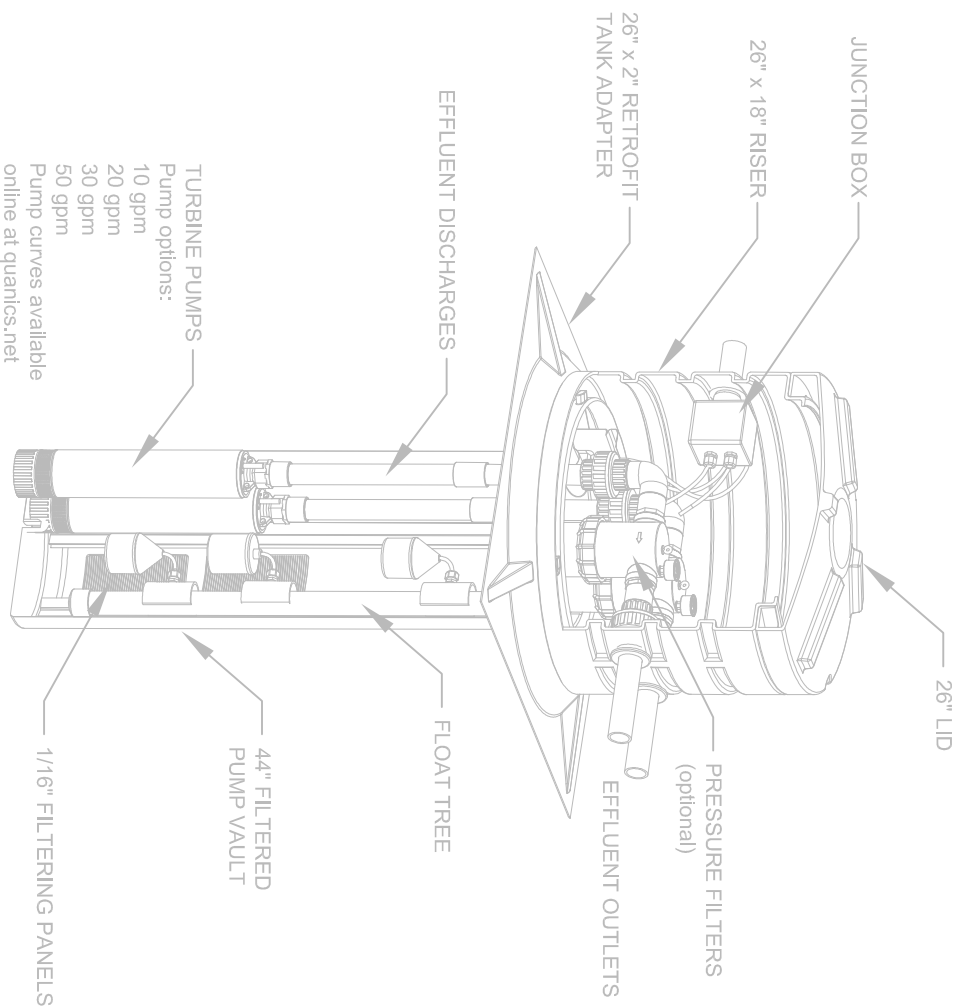
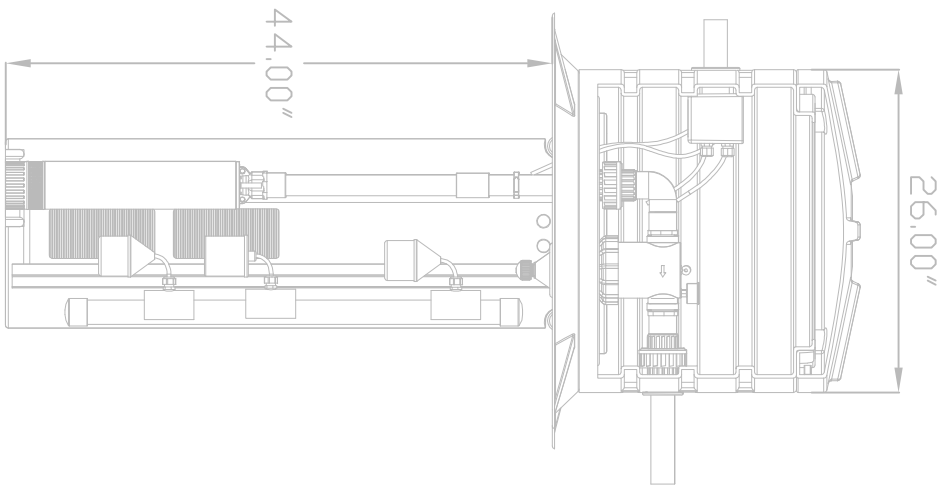


DRAWING NAME - SS-200-D-44-PF
 STEP SYSTEM - 44" PUMP VAULT - DUAL 1/2 HP TURBINE PUMPS - PRESSURE FILTERS



Quantics Contacts -	Technical	AutoCAD Drawings
Brian Bonifers, RS. 502-992-8214 Bonifers@quantics.net	Eric Shields 502-992-8235 Eshields@quantics.net	Tom Jenkins 502-992-8216 Tjenkins@quantics.net
Tom Petty, P.G., REAS 615-589-4399 tpe.ty@quantics.net	Kevin Stempson, P.E., Ph.D. 502-731-7230 Kstempson@quantics.net	

Product(s) covered by one or more U.S. and/or International patents. Other U.S. and International patents may be pending.

SCALE	DRAWN BY	NAME	DATE
1 : 20		TNJ	02-07-06
N/A	Technical Approval	KS	02-07-06
	Engineer Approval		02-08-06

QUANICS INCORPORATED
 P.O. Box 1520 Des Moines IA 50314
 877-QUANICS
www.quantics.net