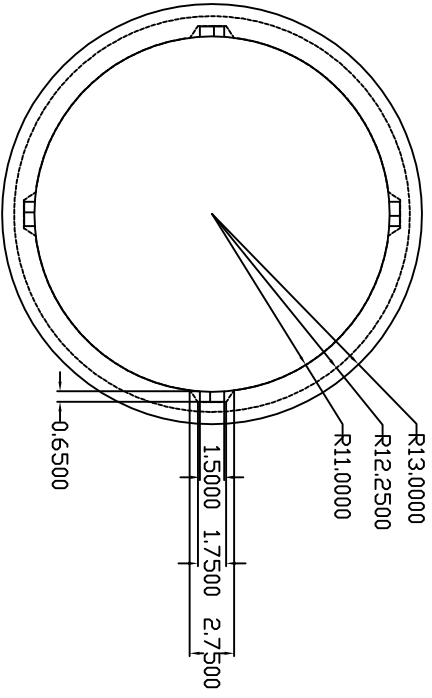
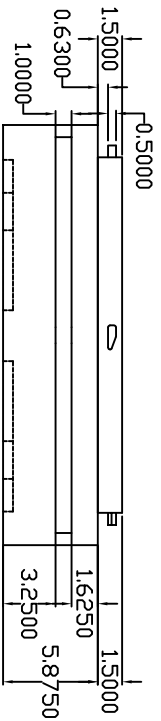
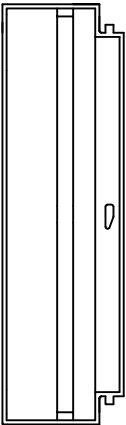
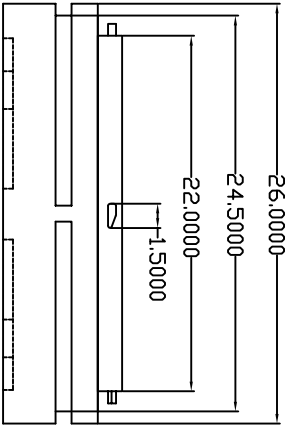
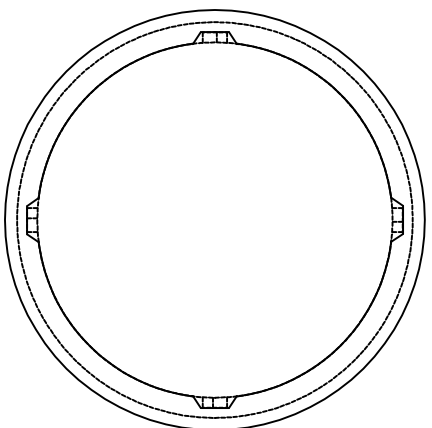


Material of Construction:
 UV stabilized Polyethylene
 Density (ASTM D-792): 0.941 g/cc
 Melt Index (ASTM D-1238, 190 C): 3.1 g/10 min
 Tensile Strength - Yield (ASTM D-638): 2662 psi



Top View



Bottom View

QUANICS INCORPORATED P.O. Box 1520 Crestwood, KY 40014			
TITLE 26" Riser x 6"			
SIZE	DWG NO.	REV	
A	RB-R-26X6		
SCALE	DRAWN	DATE	
	JCC	10/28/98	