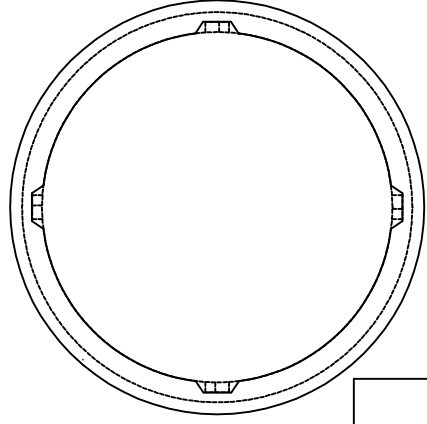
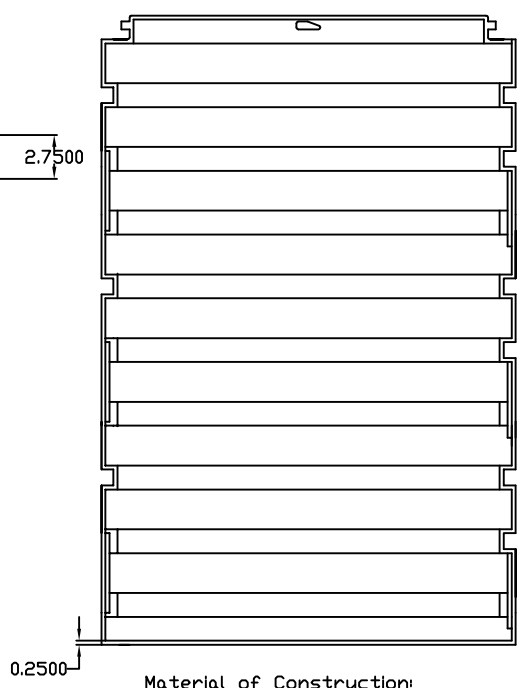


Top View



Bottom View



Material of Construction:
UV stabilized Polyethylene
Density (ASTM D-792): 0.941 g/cc
Melt Index (ASTM D-1238, 190 C): 3.1 g/10 min
Tensile Strength - Yield (ASTM D-638): 2662 psi

QUANICS INCORPORATED P.O. Box 1520 Crestwood, KY 40014			
TITLE 26" Riser x 38"			
SIZE	A	DWG NO.	REV
		RB-R-26x38	
SCALE	DRAWN	DATE	
	JCC	10/30/98	