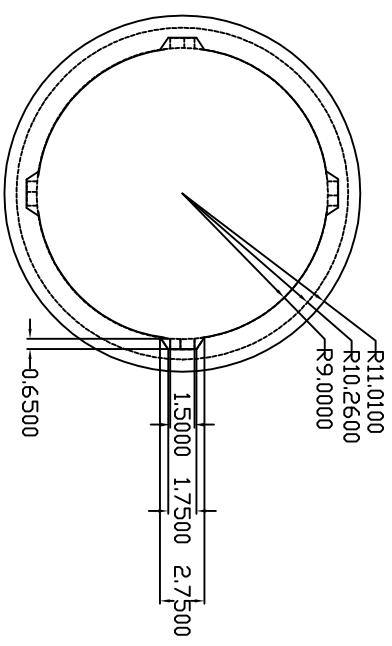
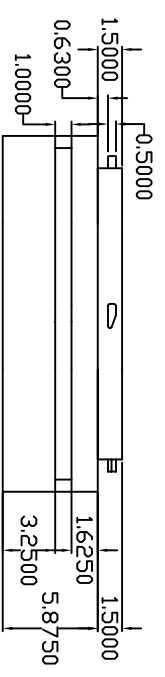
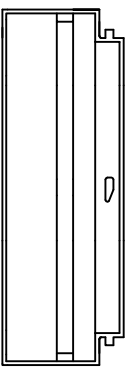
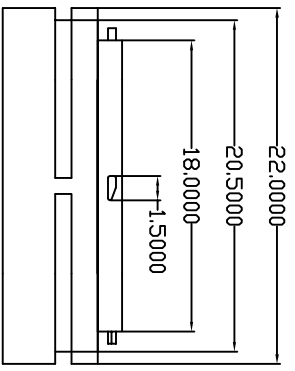
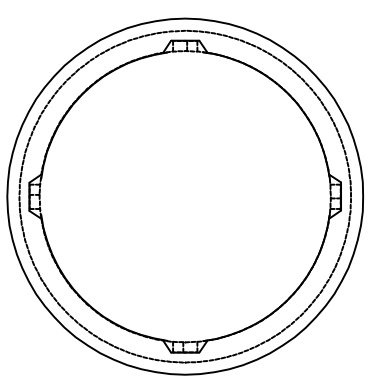


Material of Construction:  
 UV stabilized Polyethylene  
 Density (ASTM D-792): 0.941 g/cc  
 Melt Index (ASTM D-1238, 190 C): 31 g/10 min  
 Tensile Strength - Yield (ASTM D-638): 2662 psi



Top View



Bottom View

QUANICS INCORPORATED P.O. Box 1520 Crestwood, KY 40014 2000			
TITLE 22" Riser x 6"			
SIZE A	DWG. NO. RB-R-22x6	REV	
SCALE JCC	DRAWN JCC	DATE 6/1/00	