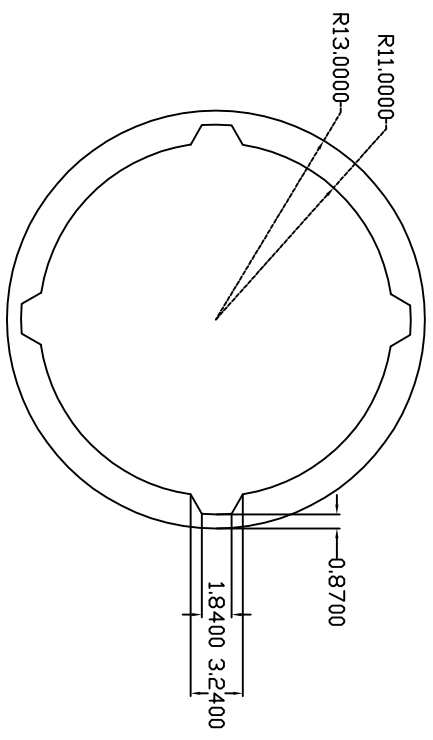
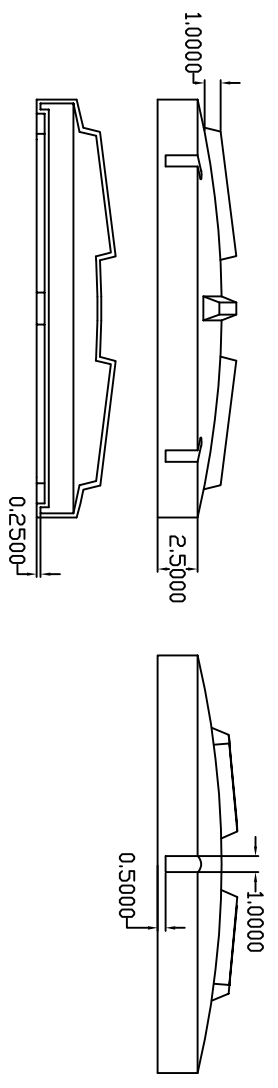
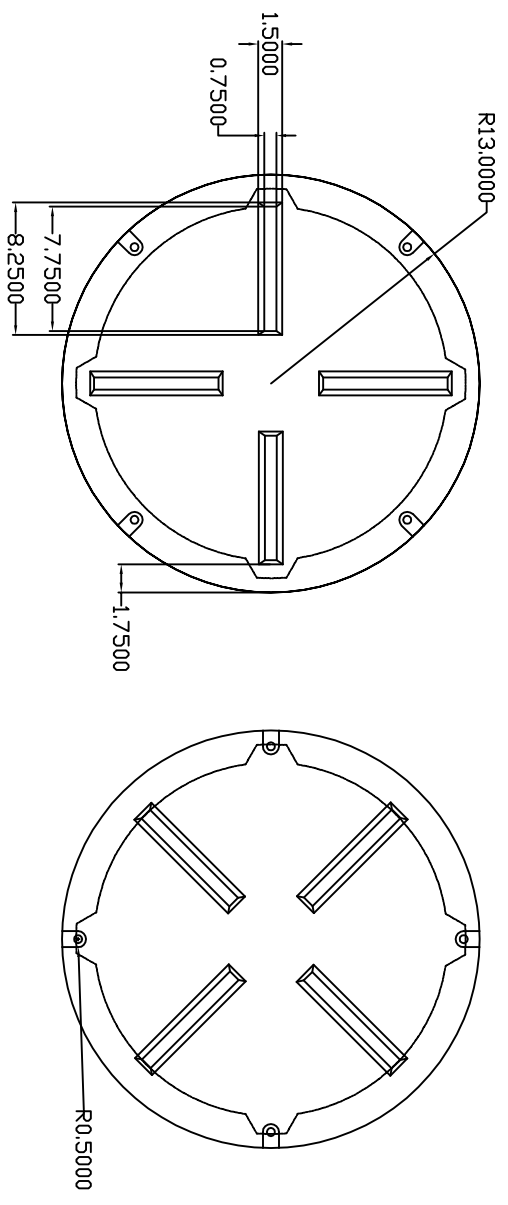


Material of Construction:
 UV stabilized Polyethylene
 Density (ASTM D-792): 0.941 g/cc
 Melt Index (ASTM D-1238, 190 C): 3.1 g/10 min
 Tensile Strength - Yield (ASTM D-638): 2662 psi



QUANICS INCORPORATED			
P.O. Box 1520 Crestwood, KY 40014			
TITLE			
26" Lid			
SIZE	DWG. NO.	REV	
A	RB-L-26		
SCALE	DRAWN	DATE	
	JCC	09/24/98	