



Drainfield Sizing Specifications

900 linear feet

Laterals

PDS-LPP-900 drainfield is made of ten 90' lines
 Each line includes eighteen 5' sections
 Each 5' section includes one orifice
 Ball Valve at beginning and Sweep assembly at end of each line
 Lines are on 5' centers

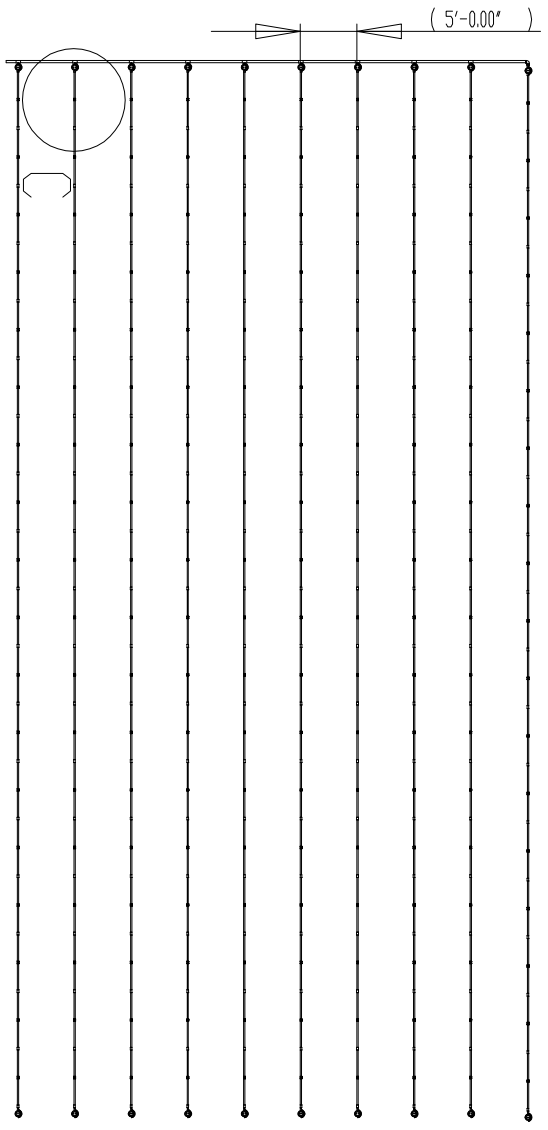
Orifice Specifications

Orifice diameter = 5/32"
 # of orifices per line = 18
 Orifices are 5' apart

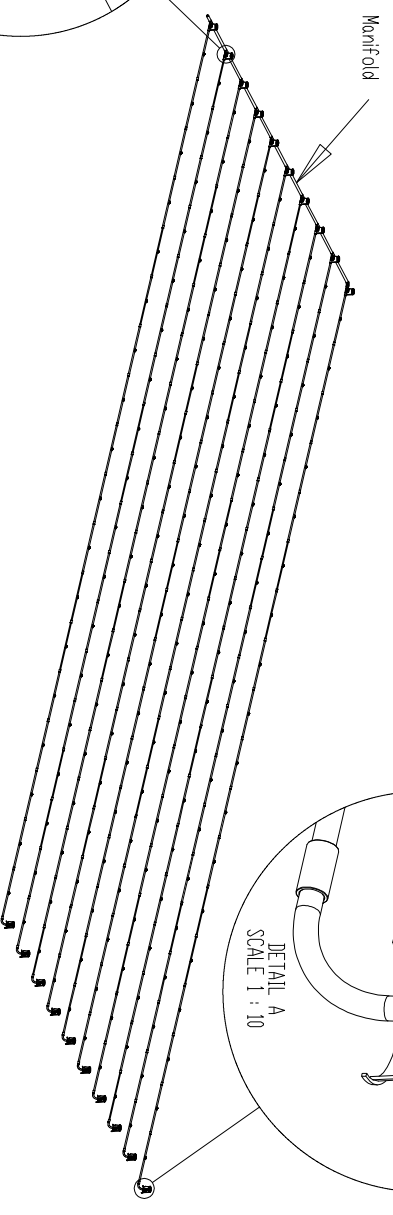
Piping

10" SCH 40 PVC

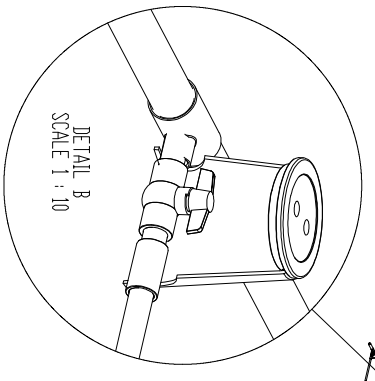
1' Sweep Assembly
 Quonics Model # PDS-SA-10



DETAIL C
 SCALE 1 : 50



DETAIL A
 SCALE 1 : 10



DETAIL B
 SCALE 1 : 10

Quonics Contacts
 Brian Borders, K.S.
 502-992-8274
 bborders@quonics.net
 Tom Petty, P.G., R.E.H.S.
 615-289-4399
 Petty@quonics.net
 Kevin Sherman, P.E., Ph.D.
 502-751-7258
 ksherman@quonics.net

Product(s) covered by one or more U.S. and/or International patents. Other U.S. and International patents may be pending.

DIMENSIONS ARE IN INCHES		TOLERANCES:		NAME		DATE	
		FRACTIONAL ±	ANGULAR MACH ±	BEND ±	DRAWN	TITLE	
		TWO PLACE DECIMAL ±	THREE PLACE DECIMAL ±		CHECKED	BB	05-10-06
					ENG APPR	KS	00-00-00
					MFG APPR	SG	05-10-06
					COMMENTS:		
FINISH	---						
FINISH	---						
USED ON							
NEXT ASSY							
APPLICATION							
FINISH	1 : 200						



P.O. Box 1520
 Crestwood KY 40014

WWW.QUONICS.NET

SIZE	DESCRIPTION	WEIGHT	REV.
A	PDS-LPP-900		
			SHEET 1 OF 1