

Drainfield Sizing Specifications

600 linear feet

Laterals

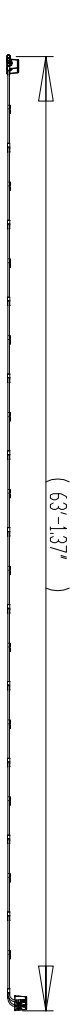
PDS-LPP-6-00 drainfield is made of ten 60' lines
 Each line includes twelve 5' sections
 Each 5' section includes one orifice
 Ball Valve at beginning and Sweep assembly
 at end of each line
 Lines are on 5' centers

Orifice Specifications

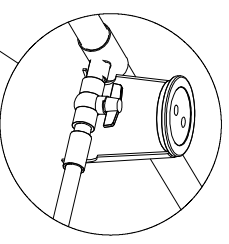
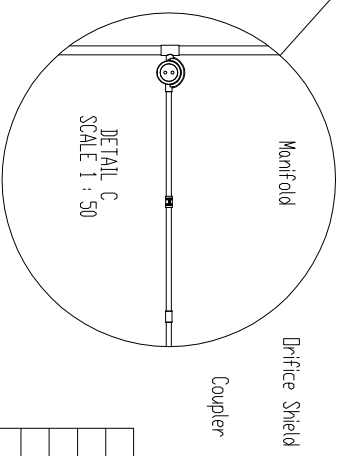
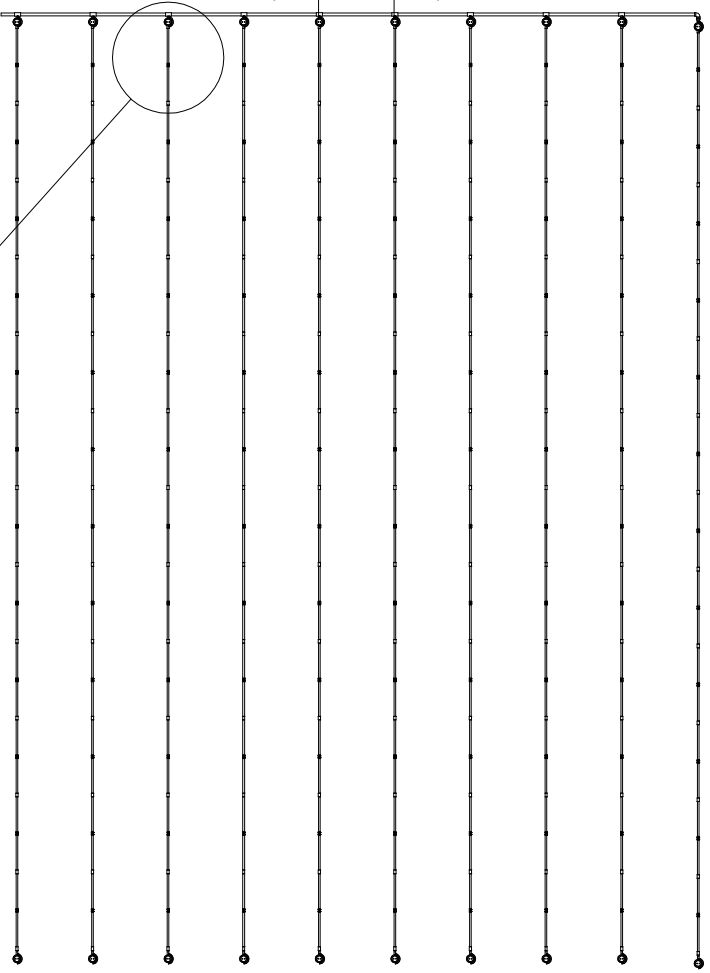
Orifice diameter = 5/32"
 # of orifices per line = 12
 Orifices are 5' apart

Piping

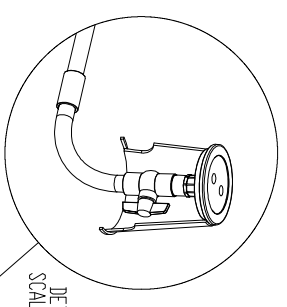
1 1/2" SCH 40 PVC



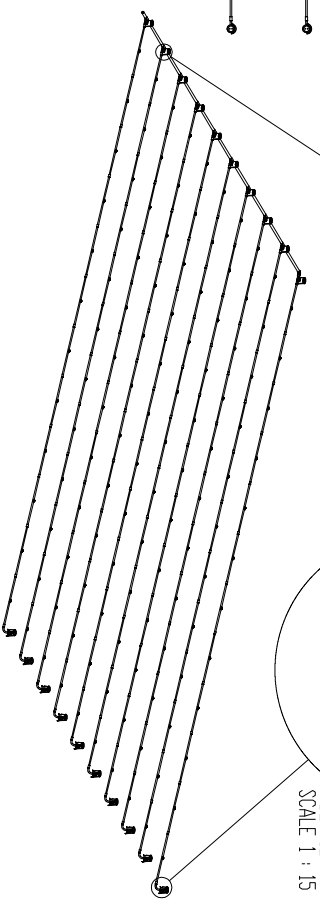
(ϕ 5'-0.00')



DETAIL B
SCALE 1 : 15



DETAIL A
SCALE 1 : 15



Quanics Contacts
 Brian Borders, R.S.
 502-992-8214
 bborders@quanics.net
 Tom Petty, P.G., REHS
 615-289-4399
 Tpetty@quanics.net
 Kevin Sherman, P.E., Ph.D.
 502-751-7258
 ksherman@quanics.net

Product(s) covered by one or more U.S. and/or International patents. Other U.S. and International patents may be pending.

DIMENSIONS ARE IN INCHES	
TOLERANCES:	FRACTIONAL ±
	ANGULAR: MACH ±
	TWO PLACE DECIMAL ±
	BEND ±
	THREE PLACE DECIMAL ±
MATERIAL	
FINISH	--
SCALE	1 : 150
APPLICATION	USED ON
NEXT ASSY	

NAME	DATE
TNU	05-10-06
BB	05-10-06
KS	00-00-00
SG	05-10-06

Quanics
Engineering Water Solutions™

P.O. Box 1520
Crestwood KY 40014
www.quanics.net

SIZE	DESCRIPTION	WEIGHT	REV.
A	PDS-LPP-6-00		
SHEET 1 OF 1			