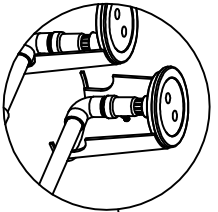


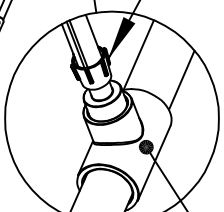
Air Release Valves



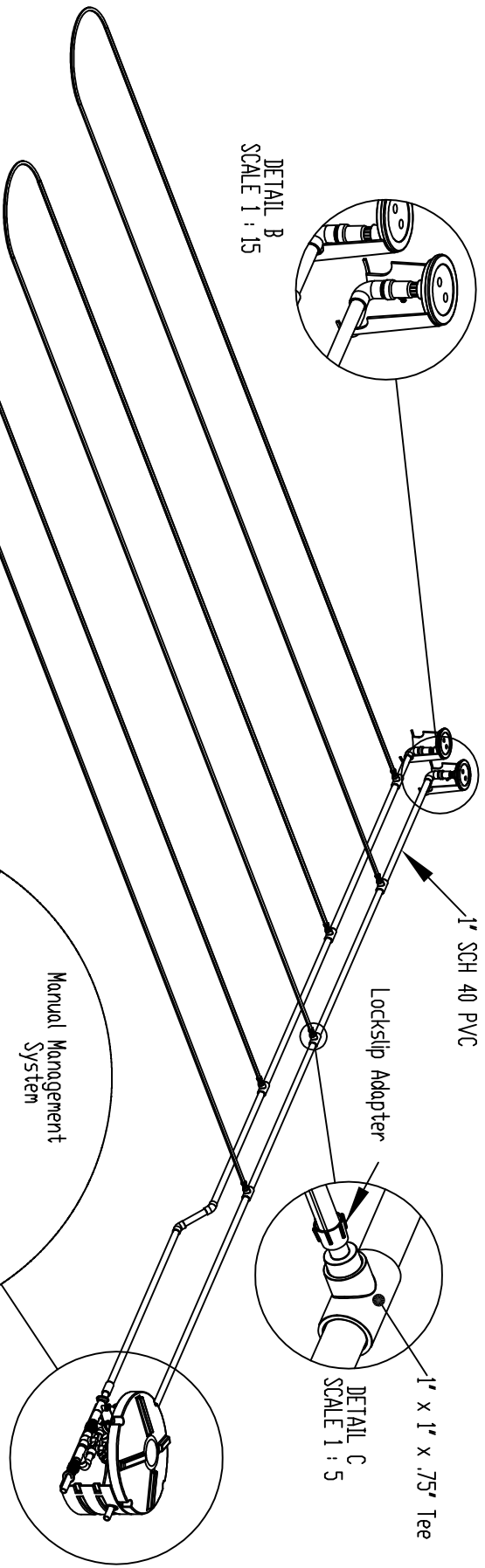
DETAIL B
SCALE 1 : 15

1" SCH 40 PVC

Lockslip Adapter



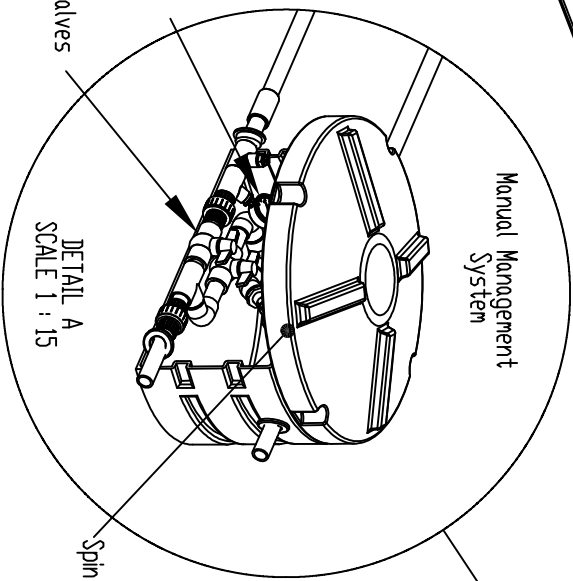
1" x 1" x .75" Tee
DETAIL C
SCALE 1 : 5



Drip Tubing
(500 L.F.)
Number and length
of loops may vary

Pressure Gauge

Ball Valves



Manual Management System

DETAIL A
SCALE 1 : 15

Spin Filter

QUANICS INCORPORATED

For updated AutoCAD .dwg files
Visit our website
www.quanics.net

- Parts Included:
- PDS-DI-24-PC (500 ft.)
 - PDS-1F-A (10)
 - PDS-CF-1C (5)
 - PDS-VB-100 (2)
 - PDS-AVB (2)
 - PDS-MS-1-MAN (1)

Product(s) covered by one or more U.S. and/or International patents. Other U.S. and International patents may be pending.

DIMENSIONS ARE IN INCHES		NAME		DATE		FILE NAME	
FRACTIONAL ±		DRAWN	TNJ	11-14-03	QUANICS INCORPORATED		
ANGULAR MACH ±	BEND ±	CHECKED	BB	11-14-03	For updated AutoCAD .dwg files		
TWO PLACE DECIMAL ±	THREE PLACE DECIMAL ±	ENG APPR			Visit our website		
MATERIAL		QA			www.quanics.net		
FINISH		COMMENTS			Single Zone Drip Field Assembly		
SCALE	1 : 45				WEIGHT		SHEET 1 OF 1
APPLICATION							
NEXT ASSY	USED ON						