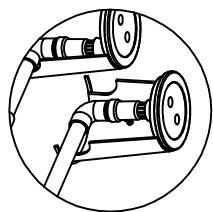


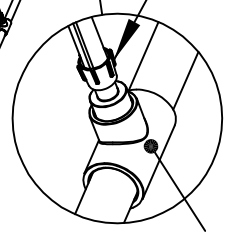
Air Release Valves



DETAIL B
SCALE 1 : 15

1' SCH 40 PVC

Lockslip Adapter



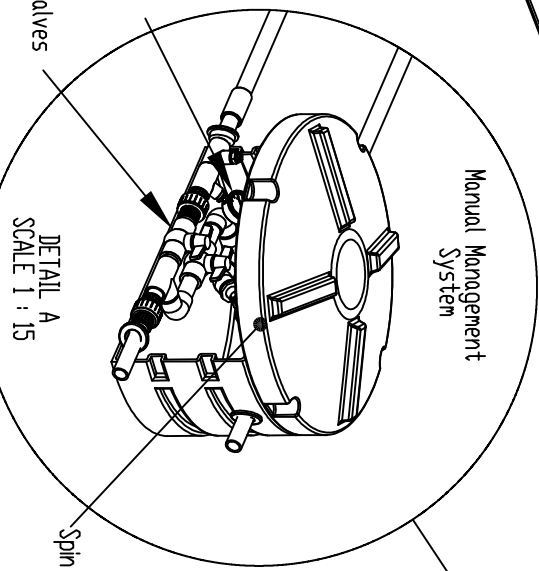
DETAIL C
SCALE 1 : 5

1' x 1' x .75' Tee

Drip Tubing
(4 000 L.F.)
Number and length
of loops may vary

Pressure Gauge

Ball Valves



DETAIL A
SCALE 1 : 15

Spin Filter

- Parts Included:
- PDS-D1-24-PC (40)
 - PDS-1F-A (8)
 - PDS-1F-B (35)
 - PDS-VB-100 (2)
 - PDS-AVB (2)
 - PDS-MS-1-MAN (1)

00 F(1)

Product(s) covered by one or more U.S. and/or International patents. Other U.S. and International patents may be pending.

| | | | | | |
|--------------------------|-----------------------|----------|------|----------|--|
| DIMENSIONS ARE IN INCHES | | DRAWN | NAME | DATE | QUANICS INCORPORATED For updated AutoCad .dwg files Visit our website www.quanics.net |
| TOLERANCES: | FRACTIONAL ± | CHECKED | TNU | 11-14-03 | |
| | ANGULAR: MACH ± | ENG APPR | BB | 11-14-03 | |
| | TWO PLACE DECIMAL ± | MFG APPR | | | |
| | THREE PLACE DECIMAL ± | QA | | | |
| MATERIAL | | COMMENTS | | | FILE NAME |
| NEXT ASSY | USED ON | FINISH | | | Single Zone Drip Field Assembly |
| APPLICATION | SCALE | 1 : 45 | | | WEIGHT: |
| | | | | | SHEET 1 OF 1 |