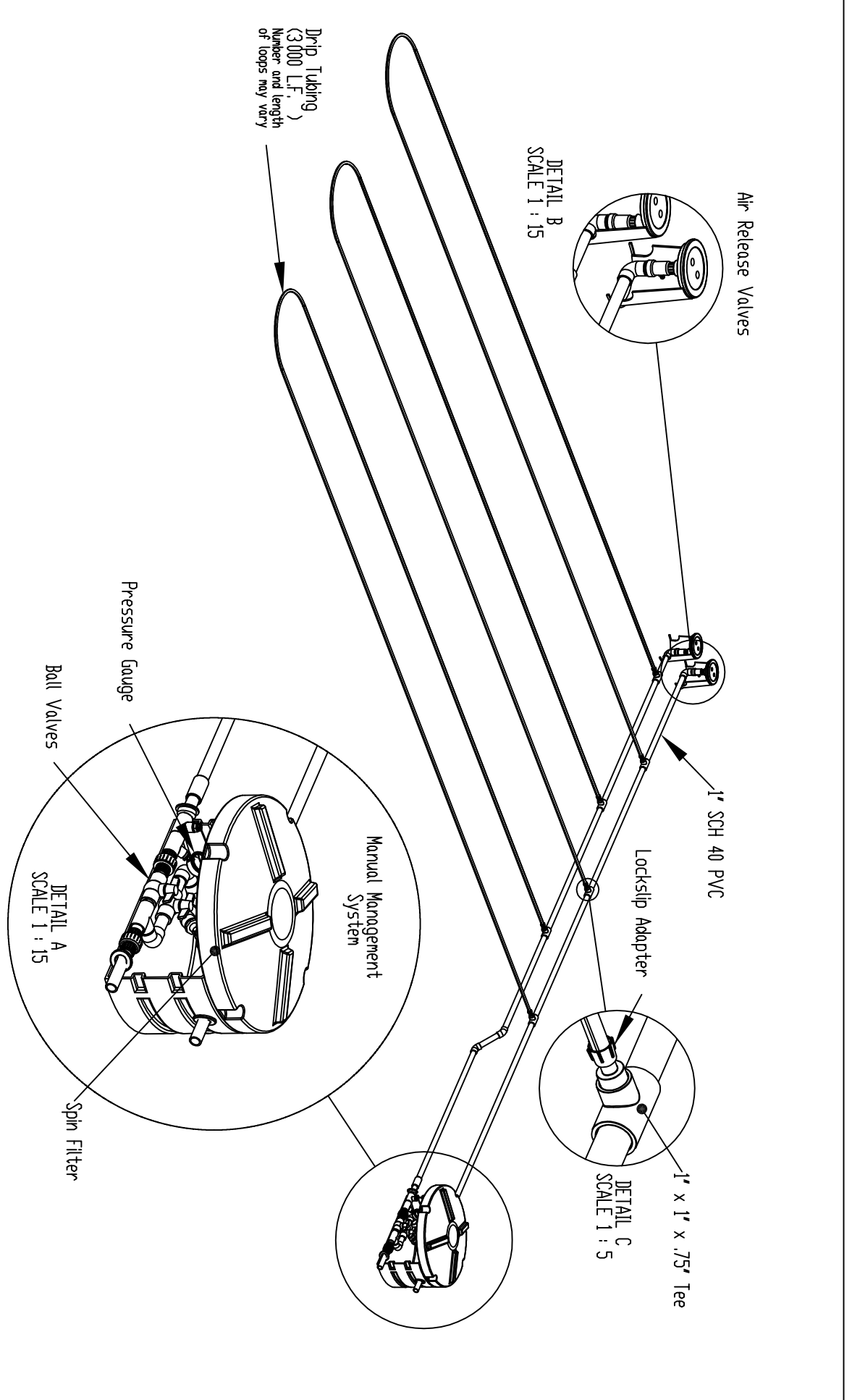


Parts Included eol: 00 f.f.)
 PJS-DI-24-PC (30)
 PJS-IF-A (6)
 PJS-G-1C (25)
 PJS-VB-100 (2)
 PJS-MS-1-MAN (1)

Product(s) covered by one or more U.S. and/or International patents. Other U.S. and International patents may be pending.

APPLICATION	USED ON	FINISH	SCALE	1 : 45
DIMENSIONS ARE IN INCHES FRACTIONAL ± ANGULAR MACH ± TWO PLACE DECIMAL ± THREE PLACE DECIMAL ± MATERIAL Q.A. COMMENTS				
NAME	DATE	DRAWN	CHECKED	ENG APPR
TNU	11-14-03		BB	11-14-03
FILE NAME: Single Zone Drip Field Assembly WEIGHT: SHEET 1 OF 1				



QUANICS INCORPORATED

For updated AutoCad .dwg files
 Visit our website
www.quanics.net