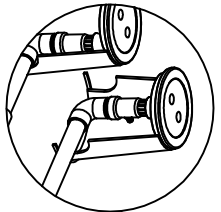


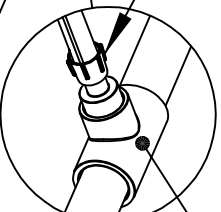
DETAIL B
SCALE 1 : 15



1' SCH 40 PVC

Lockslip Adapter

DETAIL C
SCALE 1 : 5

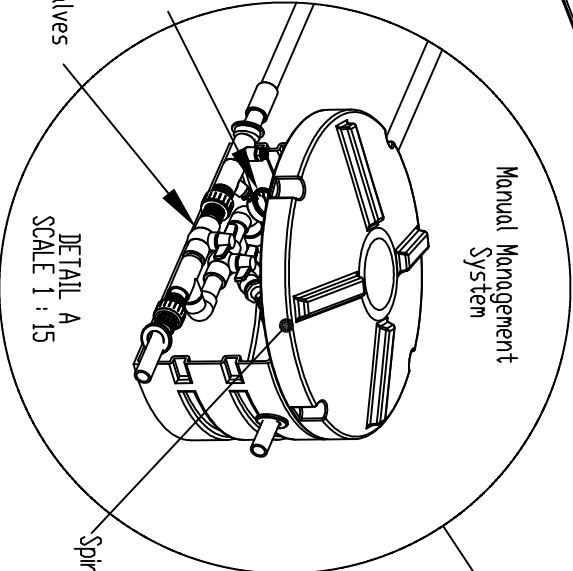


1' x 1' x .75' Tee

Drip Tubing
(2500 L.F.)
Number and length
of loops may vary

Pressure Gauge

Ball Valves



DETAIL A
SCALE 1 : 15

Spin Filter

- Parts Included ed:
 PIS-DT-24-PC (25)
 PIS-LF-A (5 0)
 PIS-OF-1C (20)
 PIS-VB-100 (2)
 PIS-AVB (2)
 PIS-MS-1-MAN (1)

00 f4.)

Product(s) covered by one or more U.S. and/or International patents. Other U.S. and International patents may be pending.

APPLICATION		SCALE 1 : 45		DRAWN TNU		DATE 11-14-03		QUANICS INCORPORATED	
NEXT ASSY	USED ON	FINISH	--	CHECKED	BB	11-14-03	For updated AutoCad dwg files Visit our website www.quanics.net		
DIMENSIONS ARE IN INCHES		FRACTIONAL ±		ANGULAR MACH ±		BEND ±		FILE NAME Single Zone Drip Field Assembly	
TWO PLACE DECIMAL ±		THREE PLACE DECIMAL ±		ENG APPR		MFG APPR		WEIGHT	
MATERIAL		COMMENTS		QA		SHEET 1 OF 1			