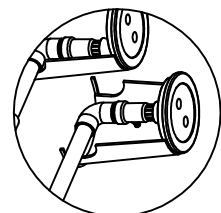


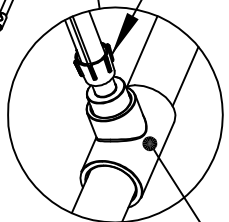
Air Release Valves



DETAIL B
SCALE 1 : 15

1" SCH 40 PVC

Lockslip Adapter

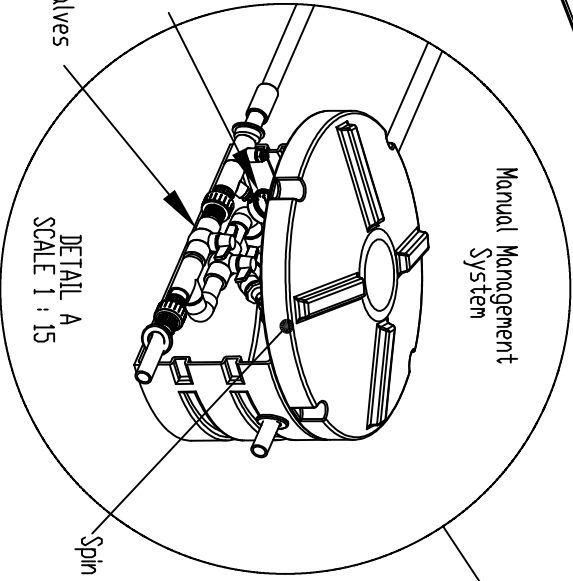


1" x 1" x .75" Tee
DETAIL C
SCALE 1 : 5

Drip Tubing
(15.00 L.F.)
Number and length
of loops may vary

Pressure Gauge

Ball Valves



DETAIL A
SCALE 1 : 15

Spin Filter

- Parts Included: 00 ft.)
- PDS-DT-24-PC (15)
 - PDS-IF-A (30)
 - PDS-CF-IC (10)
 - PDS-VB-100 (2)
 - PDS-AVB (2)
 - PDS-MS-1-MAN (1)

Product(s) covered by one or more U.S. and/or International patents. Other U.S. and International patents may be pending.

APPLICATION		SCALE		COMMENTS		DATE		QUANICS INCORPORATED	
NEXT ASSY	USED IN	FINISH	SCALE	DIMENSIONS ARE IN INCHES	DRAWN	NAME	DATE	11-14-03	For updated AutoCad .dwg files Visit our website www.quanics.net
		---	1 : 45	TOLERANCES:	TNU		11-14-03		
				FRACTIONAL ±	CHECKED	BB	11-14-03		
				ANGULAR MACH ±	ENG APPR				
				TWO PLACE DECIMAL ±	HFG APPR				
				THREE PLACE DECIMAL ±	QA				
APPLICATION		SCALE		COMMENTS		DATE		QUANICS INCORPORATED	
									For updated AutoCad .dwg files Visit our website www.quanics.net
			1 : 45						
APPLICATION		SCALE		COMMENTS		DATE		QUANICS INCORPORATED	
									For updated AutoCad .dwg files Visit our website www.quanics.net
			1 : 45						
APPLICATION		SCALE		COMMENTS		DATE		QUANICS INCORPORATED	
									For updated AutoCad .dwg files Visit our website www.quanics.net
			1 : 45						
APPLICATION		SCALE		COMMENTS		DATE		QUANICS INCORPORATED	
									For updated AutoCad .dwg files Visit our website www.quanics.net
			1 : 45						
APPLICATION		SCALE		COMMENTS		DATE		QUANICS INCORPORATED	
									For updated AutoCad .dwg files Visit our website www.quanics.net
			1 : 45						
APPLICATION		SCALE		COMMENTS		DATE		QUANICS INCORPORATED	
									For updated AutoCad .dwg files Visit our website www.quanics.net
			1 : 45						
APPLICATION		SCALE		COMMENTS		DATE		QUANICS INCORPORATED	
									For updated AutoCad .dwg files Visit our website www.quanics.net
			1 : 45						
APPLICATION		SCALE		COMMENTS		DATE		QUANICS INCORPORATED	
									For updated AutoCad .dwg files Visit our website www.quanics.net
			1 : 45						
APPLICATION		SCALE		COMMENTS		DATE		QUANICS INCORPORATED	
									For updated AutoCad .dwg files Visit our website www.quanics.net
			1 : 45						
APPLICATION		SCALE		COMMENTS		DATE		QUANICS INCORPORATED	
									For updated AutoCad .dwg files Visit our website www.quanics.net
			1 : 45						
APPLICATION		SCALE		COMMENTS		DATE		QUANICS INCORPORATED	
									For updated AutoCad .dwg files Visit our website www.quanics.net
			1 : 45						
APPLICATION		SCALE		COMMENTS		DATE		QUANICS INCORPORATED	
									For updated AutoCad .dwg files Visit our website www.quanics.net
			1 : 45						
APPLICATION		SCALE		COMMENTS		DATE		QUANICS INCORPORATED	
									For updated AutoCad .dwg files Visit our website www.quanics.net
			1 : 45						
APPLICATION		SCALE		COMMENTS		DATE		QUANICS INCORPORATED	
									For updated AutoCad .dwg files Visit our website www.quanics.net
			1 : 45						
APPLICATION		SCALE		COMMENTS		DATE		QUANICS INCORPORATED	
									For updated AutoCad .dwg files Visit our website www.quanics.net
			1 : 45						
APPLICATION		SCALE		COMMENTS		DATE		QUANICS INCORPORATED	
									For updated AutoCad .dwg files Visit our website www.quanics.net
			1 : 45						
APPLICATION		SCALE		COMMENTS		DATE		QUANICS INCORPORATED	
									For updated AutoCad .dwg files Visit our website www.quanics.net
			1 : 45						
APPLICATION		SCALE		COMMENTS		DATE		QUANICS INCORPORATED	
									For updated AutoCad .dwg files Visit our website www.quanics.net
			1 : 45						
APPLICATION		SCALE		COMMENTS		DATE		QUANICS INCORPORATED	
									For updated AutoCad .dwg files Visit our website www.quanics.net
			1 : 45						
APPLICATION		SCALE		COMMENTS		DATE		QUANICS INCORPORATED	
									For updated AutoCad .dwg files Visit our website www.quanics.net
			1 : 45						
APPLICATION		SCALE		COMMENTS		DATE		QUANICS INCORPORATED	
									For updated AutoCad .dwg files Visit our website www.quanics.net
			1 : 45						
APPLICATION		SCALE		COMMENTS		DATE		QUANICS INCORPORATED	
									For updated AutoCad .dwg files Visit our website www.quanics.net
			1 : 45						
APPLICATION		SCALE		COMMENTS		DATE		QUANICS INCORPORATED	
									For updated AutoCad .dwg files Visit our website www.quanics.net
			1 : 45						
APPLICATION		SCALE		COMMENTS		DATE		QUANICS INCORPORATED	
									For updated AutoCad .dwg files Visit our website www.quanics.net
			1 : 45						
APPLICATION		SCALE		COMMENTS		DATE		QUANICS INCORPORATED	
									For updated AutoCad .dwg files Visit our website www.quanics.net
			1 : 45						
APPLICATION		SCALE		COMMENTS		DATE		QUANICS INCORPORATED	
									For updated AutoCad .dwg files Visit our website www.quanics.net
			1 : 45						
APPLICATION		SCALE		COMMENTS		DATE		QUANICS INCORPORATED	
									For updated AutoCad .dwg files Visit our website www.quanics.net
			1 : 45						
APPLICATION		SCALE		COMMENTS		DATE		QUANICS INCORPORATED	
									For updated AutoCad .dwg files Visit our website www.quanics.net
			1 : 45						
APPLICATION		SCALE		COMMENTS		DATE		QUANICS INCORPORATED	
									For updated AutoCad .dwg files Visit our website