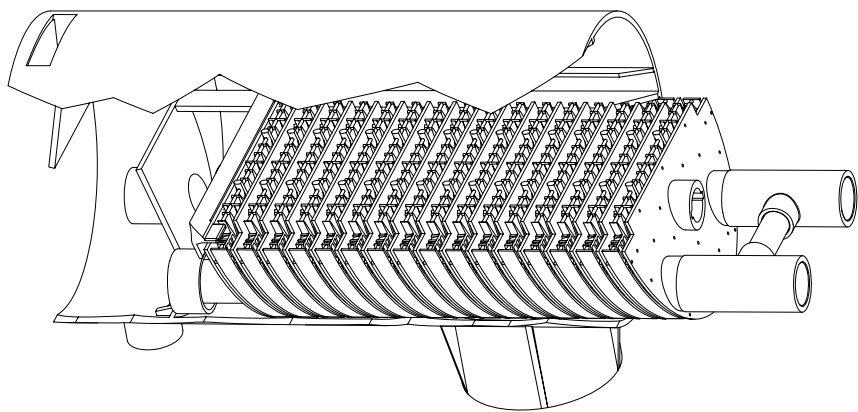
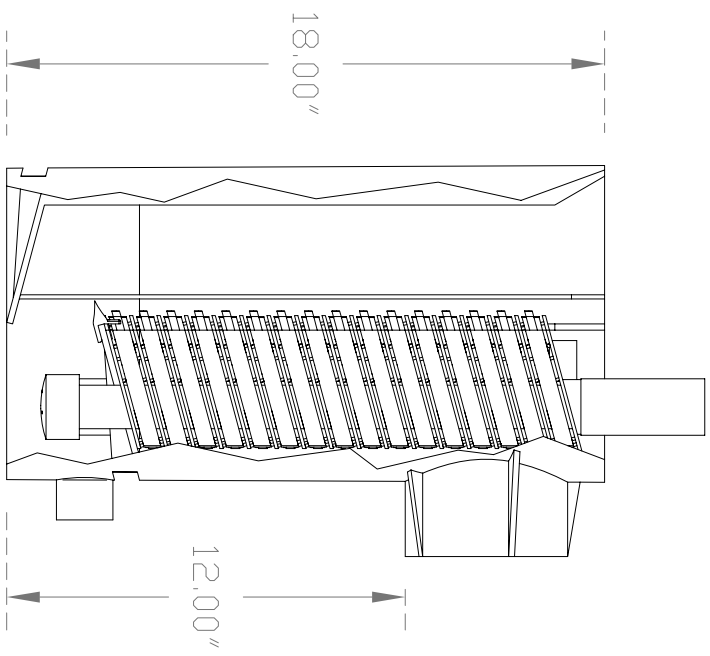


R4.77"



MODEL	LID COLOR	GPD	FILTRATION	LINEAR FT OF WEIR
EF-ML3-910	BLACK	3350	1/10"	49.02
EF-ML3-916	BLUE	2750	1/16"	49.02
EF-ML3-932	GREEN	3350	1/32"	49.02
EF-ML3-964	RED	1500*	1/64"	49.02

\*High water audio visual alarm is suggested due to the high level of filtration and the subsequent short service interval for these commercial/industrial filters.

Quanics Technical Contacts

Brian Borders, R.S.      Tom Pealy, P.G., R.E.H.S.      Kevin Sherman, P.E., Ph.D.  
 502-992-8214      502-992-8236      502-751-7298  
 Borders@quanics.net      Tpealy@quanics.net      Ksherman@quanics.net

AutoCad Drawings

Tom Jenkins      Tjenkins@quanics.net  
 502-992-8216

Product(s) covered by one or more U.S. and/or International patents. Other U.S. and International patents may be pending.

SCALE	NAME	DATE
GPD	Drawn By: TNU	06-23-11
	Technical Approval: BB	06-25-11
	Engineer Approval:	

