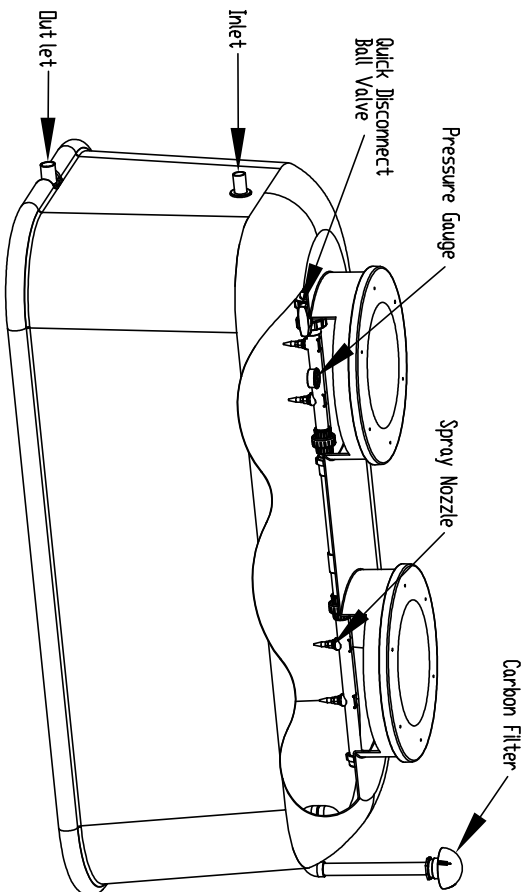
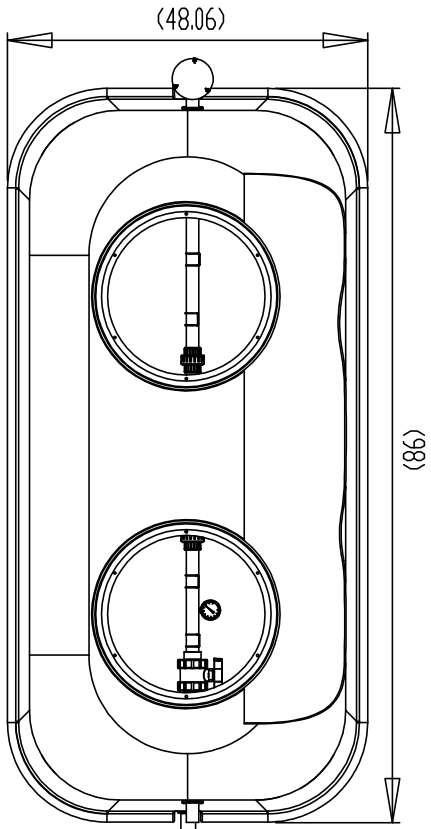
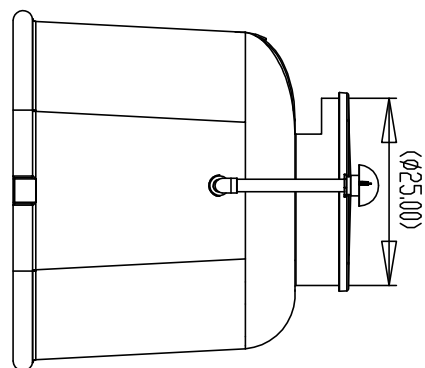
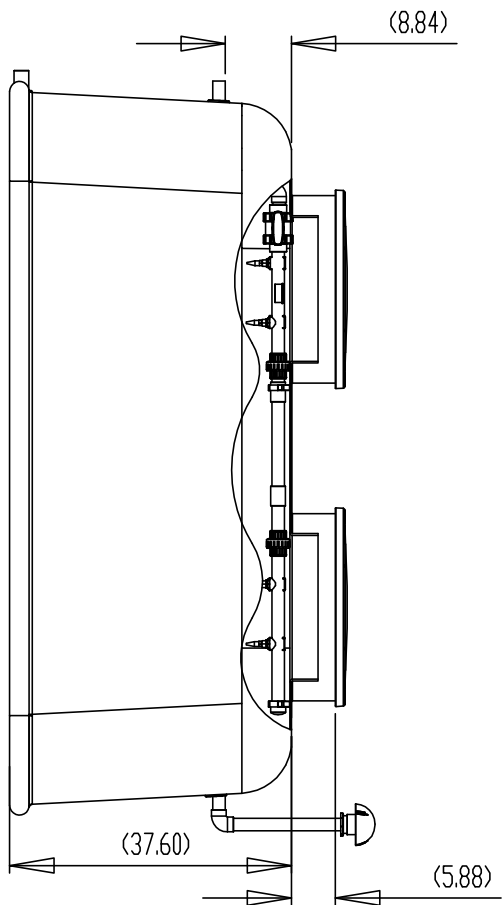


DRAWING NAME: ATS-8 ADVANCED WASTEWATER TREATMENT
MODULE TYPICAL INSTALLATION



Quonics Contacts -	Technical
Rhyn Bowden, RS 502-992-8214 Bowden@quonics.net	Eric Shilde 502-992-8235 Eshilde@quonics.net
Tom Petty, P.G., REHS 615-299-4399 Tpetty@quonics.net	Kevin Sherman, P.E., Ph.D. 502-751-7258 Ksherman@quonics.net
	AutoCAD Drawings
	Tom Jenkins 502-992-8216 Tjenkins@quonics.net

Product(s) covered by one or more U.S. and/or International patents. Other U.S. and International patents may be pending.		SCALE	DATE	NAME	DATE	QUONICS INCORPORATED
1 : 25	Drawn By	TJU	02-07-06			1221 Chestnut St. Philadelphia, PA 19104
N/A	Technical Approval	BS	02-07-06			877-QUONICS
	Engineer Approval	KS	02-08-06			www.quonics.net