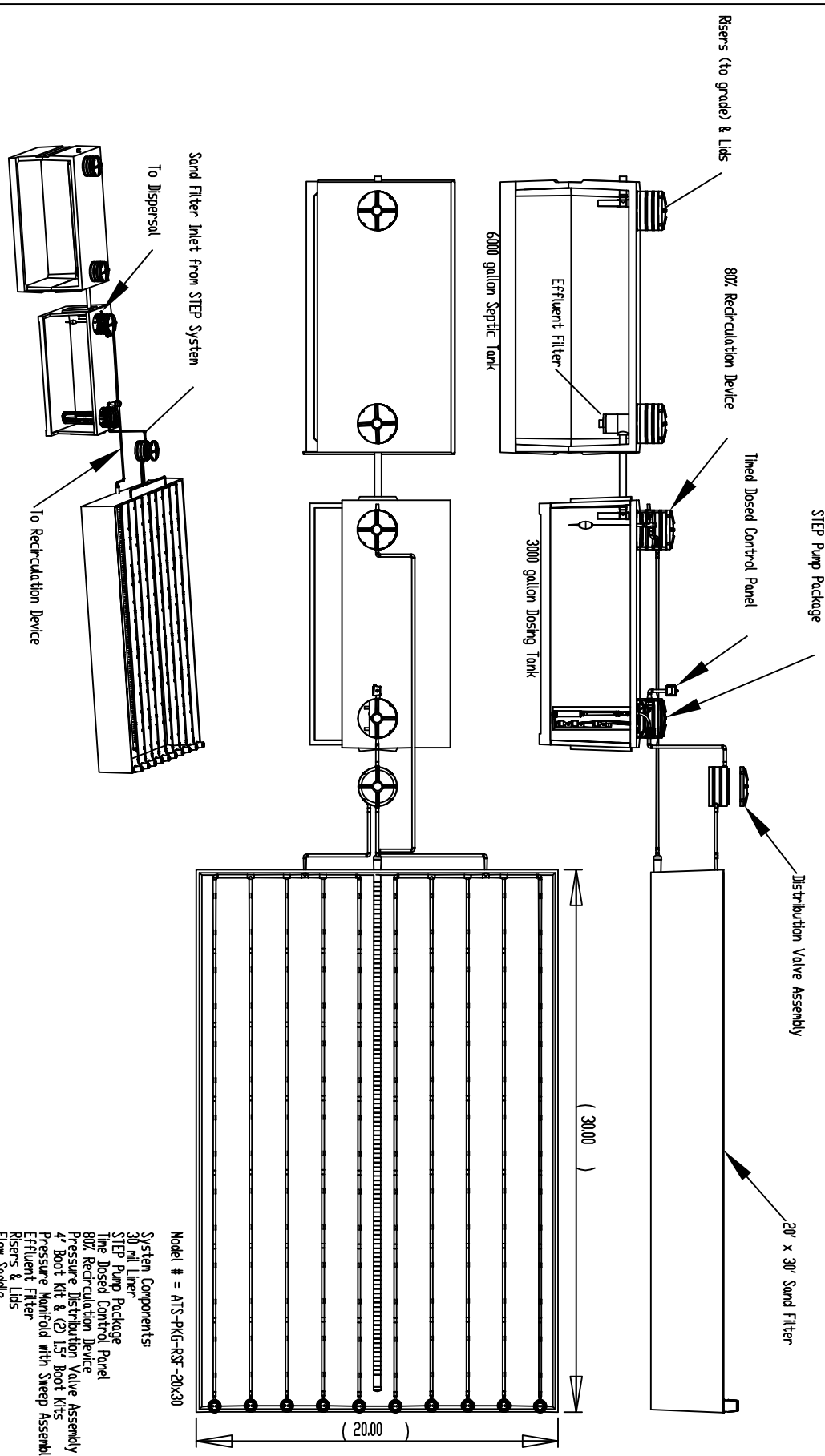


REVISEMENTS		DATE	APPROVED
ZONE	REV.	DESCRIPTION	



Model # = A1S-PKG-RSF-20x30

- System Components:
- 30 mil Liner
  - STEP Pump Package
  - Timed Dosed Control Panel
  - 80% Recirculation Device
  - Pressure Distribution Valve Assembly
  - 4" Boot Kit & (2) 15" Boot Kits
  - Pressure Manifold with Sweep Assemblies
  - Effluent Filter
  - Risers & Lids
  - Flow Saddle
  - 4" Underdrain

Not included: septic & dosing tanks, sand and any external piping.

Quanics Contacts  
 Brian Borders, R.S.  
 502-992-8214  
 bborders@quanics.net  
 Tom Petty, P.G., R.E.H.S.  
 615-289-4399  
 Tpetty@quanics.net

Kevin, Sherman, P.E., Ph.D.  
 502-751-7258  
 ksherman@quanics.net

Product(s) covered by one or more U.S. and/or International patents. Other U.S. and International patents may be pending.

DIMENSIONS ARE IN INCHES		TOLERANCES:		NAME		DATE	
FRACTIONAL	±	ANGULAR	MACH ±	BROW	TNU	04-17-06	
TWO PLACE DECIMAL	±	BEND		CHECKED	BB	04-17-06	
THREE PLACE DECIMAL	±			ENG APPR.	KS	04-18-06	
MATERIAL				MFG APPR.			
FINISH				QA			
SCALE		1 : 100		COMMENTS:			
NEXT ASSY		USED IN		Loading Rate: 5 gal/ft <sup>2</sup> /day = 3000 gal.			
APPLICATION				SIZE DESCRIPTION			
				3000 gpd recirculating sand filter			
				WEIGHT:			
				REV.			
				SHEET DR-1			

**Quanics**  
 ENGINEERING WATER SOLUTIONS  
 P.O. Box 1520  
 Crestwood KY 40014  
 www.quanics.net