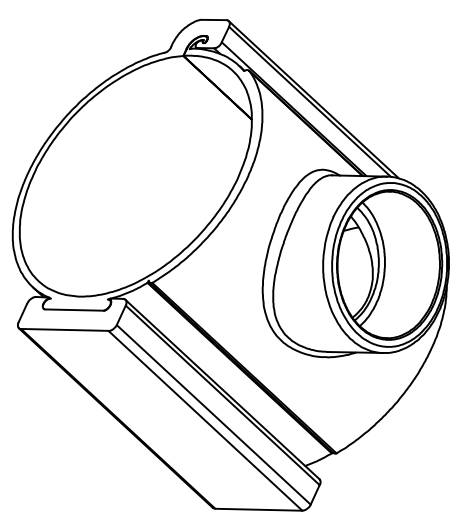
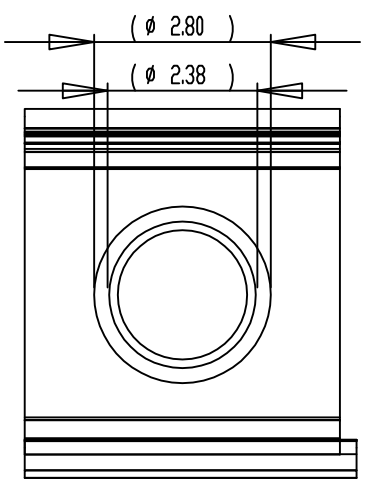
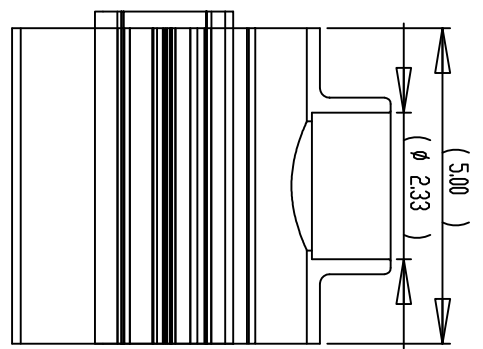
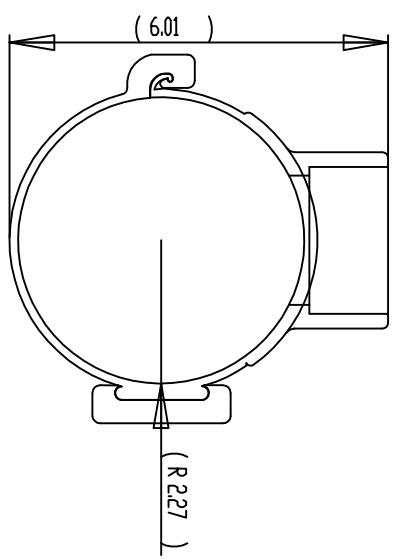


REVISIONS		DATE	APPROVED
ZONE	REV.	DESCRIPTION	



Product(s) covered by one or more U.S. and/or International patents. Other U.S. and International patents may be pending.

APPLICATION		DIMENSIONS ARE IN INCHES		DRAWN		DATE		QUANICS Incorporated	
NEXT ASSY	USED ON	TOLERANCES:	FRACTIONAL ±	NAME	TNU	07-23-02	P.O. Box 1520 Crestwood, KY 40014  www. quanics .net		
		ANGULAR MACH ±	BEND	CHECKED	TT	07-23-02			
		TWO PLACE DECIMAL ±	THREE PLACE DECIMAL ±	ENG APPR					
		MATERIAL	FINISH	MFG APPR					
		---	---	QA					
APPLICATION		DID NOT SCALE DRAWING		COMMENTS		SIZE DWG. NO.		REV.	
						A		WEIGHT	
						ATS-GRD-SAD		SHEET OF 1	