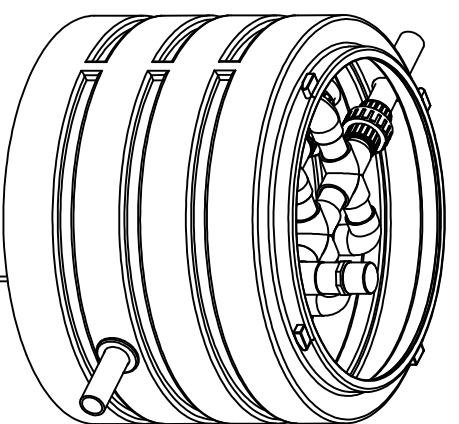
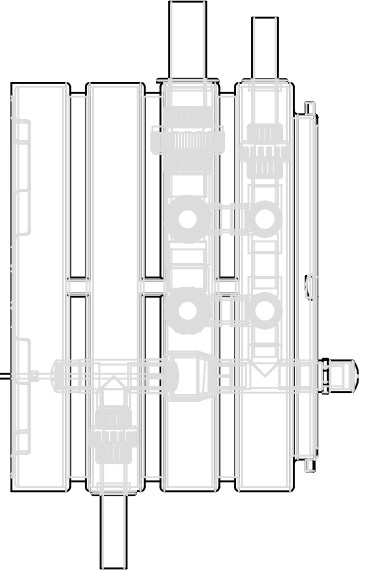
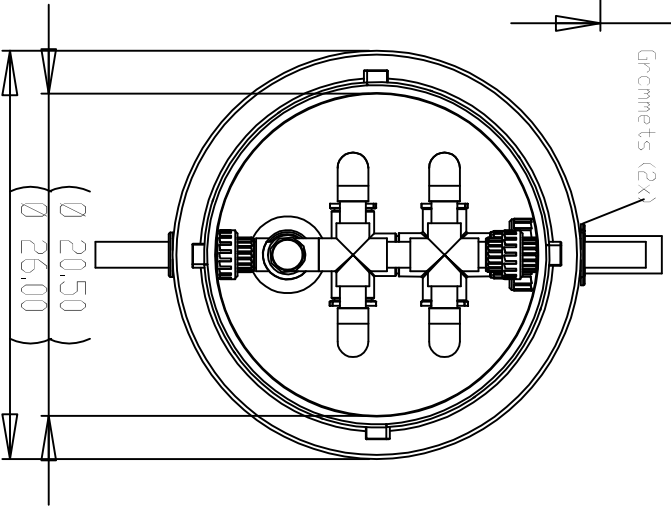


Roof length will vary with tank or filtered pump vault depth



PRODUCT(S) COVERED BY ONE OR MORE U.S. AND/OR INTERNATIONAL PATENTS. OTHER U.S. AND/OR INTERNATIONAL PATENTS MAY BE PENDING.		NEXT ASSY USED ON		FINISH		DIMENSIONS		FILE NAME	
APPLICATION		SCALE		1 : 12		DRAWN		ATS-GRD-100/83/20-N	
						DATE		MECH	
						04-1-03			
						04-2-03			
						04-3-03			
						04-4-03			
						04-5-03			
						04-6-03			
						04-7-03			
						04-8-03			
						04-9-03			
						04-10-03			
						04-11-03			
						04-12-03			
						05-1-03			
						05-2-03			
						05-3-03			
						05-4-03			
						05-5-03			
						05-6-03			
						05-7-03			
						05-8-03			
						05-9-03			
						05-10-03			
						05-11-03			
						05-12-03			
						06-1-03			
						06-2-03			
						06-3-03			
						06-4-03			
						06-5-03			
						06-6-03			
						06-7-03			
						06-8-03			
						06-9-03			
						06-10-03			
						06-11-03			
						06-12-03			
						07-1-03			
						07-2-03			
						07-3-03			
						07-4-03			
						07-5-03			
						07-6-03			
						07-7-03			
						07-8-03			
						07-9-03			
						07-10-03			
						07-11-03			
						07-12-03			
						08-1-03			
						08-2-03			
						08-3-03			
						08-4-03			
						08-5-03			
						08-6-03			
						08-7-03			
						08-8-03			
						08-9-03			
						08-10-03			
						08-11-03			
						08-12-03			
						09-1-03			
						09-2-03			
						09-3-03			
						09-4-03			
						09-5-03			
						09-6-03			
						09-7-03			
						09-8-03			
						09-9-03			
						09-10-03			
						09-11-03			
						09-12-03			
						10-1-03			
						10-2-03			
						10-3-03			
						10-4-03			
						10-5-03			
						10-6-03			
						10-7-03			
						10-8-03			
						10-9-03			
						10-10-03			
						10-11-03			
						10-12-03			
						11-1-03			
						11-2-03			
						11-3-03			
						11-4-03			
						11-5-03			
						11-6-03			
						11-7-03			
						11-8-03			
						11-9-03			
						11-10-03			
						11-11-03			
						11-12-03			
						12-1-03			
						12-2-03			
						12-3-03			
						12-4-03			
						12-5-03			
						12-6-03			
						12-7-03			
						12-8-03			
						12-9-03			
						12-10-03			
						12-11-03			
						12-12-03			

QUANICS INCORPORATED