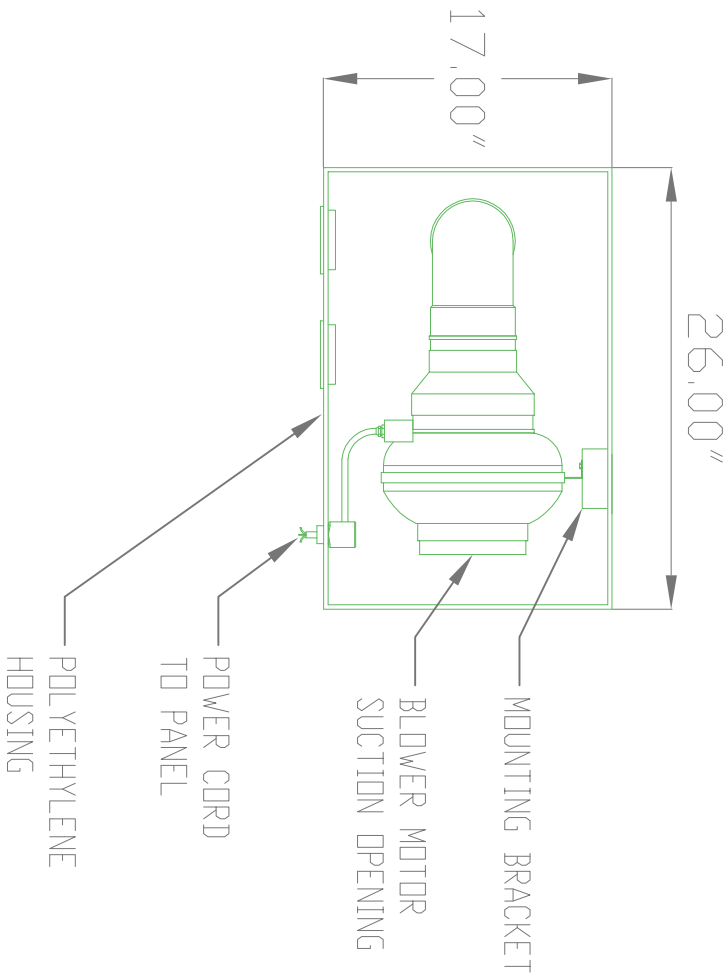
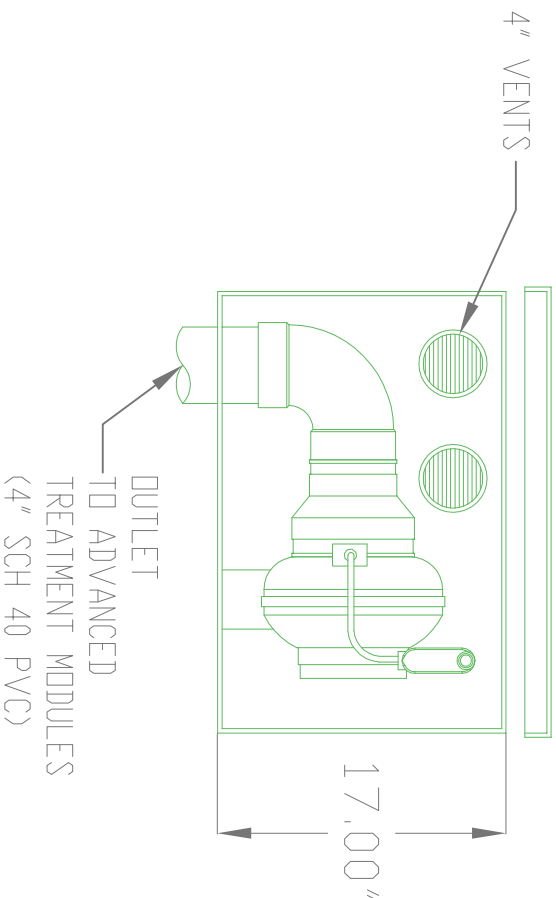


# TOP VIEW



# SIDE VIEW



Quantics Contacts - Technical		AutoCad Drawings	
Brian Borders, R.S. 502-992-8274 Bborders@quantics.net	Eric Shields 502-992-4235 Eshields@quantics.net	Tom Jenkins 502-992-8216 Tjenks@quantics.net	
Tom Pealy, P.G., R.E.H.S. 502-992-8238 Tpealy@quantics.net	Kevin Sherman P.E., Ph.D. 502-751-7298 Ksherman@quantics.net		

Product(s) covered by one or more U.S. and/or International patents. Other U.S. and International patents may be pending.

SCALE	NAME	DATE
GFD	TNU	10-30-07
N/A	SS	10-30-07

	GRAVITY LINES
	PRESSURE LINES
	QUANICS COMPONENTS
	NON-QUANICS COMPONENTS
	TEXT/NOTES

P.O. Box 1520  
Chestwood KY 40014  
**877-QUANICS**  
www.quantics.net